



Process & Steam Specialties



Products Catalogue

Gauges | Valves | Accessories



ISO
9001

CRN

3 YEAR VIEW TERMS & CONDITIONS
WARRANTY



About Process & Steam Specialties

Process & Steam Specialties services Canadian industries coast to coast with high quality industrial process equipment including a complete line of manual and automated valves, actuation, fully lined pipe and fittings, strainers, filtration, spray nozzles, steam equipment and more.

Established in the 1940's, Process & Steam Specialties has grown to include several locations throughout the country. Our experienced staff strive to provide innovative, competitively priced solutions from premium manufacturers. Our supplier partners manufacture products for a wide variety of industries including power, oil and gas, chemical, pharmaceutical, pulp and paper, food and beverage and many more. Process & Steam Specialties is part of The PSS Group of Companies that has, and continues to, grow through acquisitions.

We look forward to proving our value to you in the near future.

Table of Contents

General Information

- 2 Pressure Unit Conversion Table
- 3 Part Number Breakdown
- 4 Selecting a Pressure Gauge

WGI Pressure Gauges

- 6 Classic Series (Dry)
- 8 Elite Brass Series Pressure Gauges (Liquid Filled)
- 10 Elite Stainless Steel Series Gauges (Liquid Filled)
- 13 Elite 450 Process Gauges (NACE)
- 14 Elite 450 all Stainless Safe Case
- 15 Diaphragm Gauges (Dry)
- 16 Contractor Pressure Gauges (H.V.A.C.)
- 17 Differential Pressure Gauges
- 18 Sprinkler Gauge
- 19 Agricultural & Refrigeration Ammonia Pressure Gauge

WGI Pressure Gauge Accessories

- 20 Diaphragm / Chemical Seals
- 21 Teflon Tapes
- 22 Rubber Pressure Gauge Guards
- 22 General Purpose Pressure Snubbers
- 23 Pressure Limiting Valve (Gauge Minder)
- 24 Barrel & Pigtail Siphons

WGI Temperature Gauges

- 25 Master-Temp 200/300 Bimetal Thermometers
- 26 Master-Temp 500 Bimetal Thermometers
- 28 Thermowells
- 30 9" Industrial Thermometer
- 31 7" Adjustable Angle Thermometer

- 32 Tridicators (Pressure/Temperature/Altitude)
- 35 Pocket Test Thermometers
- 36 Hot Water Heating Thermometer
- 37 Magnetic Surface Thermometer
- 37 Clamp-on Thermometer
- 38 1441E Digital Min/Max Thermometer
- 38 Infrared Thermometer
- 39 Thermocouple & RTD's

WGI Valves

- 40 201 Carbon Steel Ball Valves
- 41 301 CSA/CGA Stainless Steel Ball Valves
- 42 401 Stainless Steel Ball Valves Seal Weld
- 43 501 Stainless Steel Ball Valves
- 44 601 Series Brass Ball Valves
- 45 701/702 Series Brass CSA Ball Valve NPT/Solder
- 46 BKH/BK3 Series High Pressure Ball Valves
- 47 Soft Seat In-Line Check Valves
- 48 Hard Seat Needle Valves - Carbon Steel
- 49 Hard Seat Needle Valves - Stainless Steel
- 50 Soft Seat Needle Valves - Carbon/Stainless Steel
- 51 Multi Port Valves
- 52 Block & Bleed Valves
- 53 Miniature Needle Valves - Hard & Soft Seat
- 56 Packager Needle Valves - Carbon Steel
- 57 Packager Needle Valves - Stainless Steel
- 58 2-Valve Hard Seat Threaded Manifold
- 59 3-Valve Hard Seat Threaded Manifold
- 60 5-Valve Soft Seat Threaded Manifold

Terms & Conditions

General Information

Pressure Unit Conversion Table

To use this Chart:

- 1 Find the column with the units you want to convert from.
- 2 Move down that column until you find the "1".
- 3 Staying in the same row, move horizontally to the column with the units you are converting to.
- 4 Multiply the number in that box by the amount you are changing from to get the converted value.

PSI	atms	H ₂ O	mmH ₂ O	cm H ₂ O	oz/in ²	kg/cm ²	Hg	mmHg (Torr)	cmHg	mbar	bar	Pa (N/m ²)	kPa	MPa
1	0.0681	27.71	703.8	70.38	16	0.0704	2.036	51.715	5.17	68.95	0.0689	6895	6.895	0.0069
14.7	1	407.2	10,343	1,034.3	235.1	1.033	29.92	760	76	1013	1.013	101,325	101.3	0.1013
0.0361	0.00246	1	25.4	2.54	0.5775	0.00254	0.0795	1.866	0.187	2.488	0.00249	248.8	0.249	0.00025
0.001421	0.000097	0.0394	1	0.1	0.0227	0.001	0.00289	0.0735	0.00735	0.098	0.000098	9.8	0.0098	0.00001
0.01421	0.000967	0.3937	10	1	0.227	0.001	0.0289	0.735	0.0735	0.98	0.00098	98	0.098	0.0001
0.0625	0.00425	1.732	43.986	4.40	1	0.0044	0.1273	3.232	0.323	4.31	0.00431	431	0.431	0.00043
14.22	0.968	394.1	100,010	1,001	227.6	1	28.96	735.6	73.56	890.7	0.981	98,067	98.07	0.0981
0.04912	0.03342	13.61	345.7	34.57	7.858	0.0345	1	25.4	2.54	33.86	0.0339	3386	3.386	0.00339
0.01934	0.001316	0.0536	13.61	1.361	0.310	0.00136	0.0394	1	0.1	1.333	0.001333	133.3	0.1333	0.000133
0.1934	0.01316	5.358	136.1	13.61	3.10	0.0136	0.394	10	1	13.33	0.01333	1333	1.333	0.00133
0.0145	0.000987	0.4012	10.21	1.021	0.2321	0.00102	0.0295	0.75	0.075	1	0.001	100	0.1	0.0001
14.504	0.987	401.9	10,210	1,021	232.1	1.02	29.53	750	75	1000	1	100,000	100	0.1
0.000145	0.00001	0.00402	0.102	0.0102	0.00232	0.00001	0.000295	0.0075	0.00075	0.01	0.00001	1	0.001	0.000001
0.14504	0.00987	401.9	102.07	10.207	2.321	0.0102	0.295	7.05	0.75	10	0.01	1,000	1	0.001
145.04	9.869	4019	10,2074	10,207	2321	1022.036	295.3	7500	750	10,000	10	1,000,000	1,000	1

Limitation of Liability

The purchaser shall inspect the goods upon receipt to determine that they are free of any defects or deficiencies. If the purchaser is not satisfied with the validity of the goods delivered, please notify WGI.

Claims on defective products do not apply to products which have been subject to misuse, neglect, and accident. The issuing of credit or replacement of goods deemed to be defective is WGI's sole obligation and in no event, shall WGI's liability exceed the purchaser's original purchase price.

Return Policy

A Return Goods Authorization (RGA) number is required for any refund or replacement and is valid for 45 days. All goods must be shipped freight prepaid and must be received by WGI during this period of time. A credit will be issued upon proper inspection and documentation.

WGI Pressure Gauge Part Number Breakdown

1	Series	2	Pressure	3*	Liquid Filled
	WH109		48		P

1	Series
WJ04	1.5" Dial, 1/8" Bottom Connection, Dry Case, Brass Internals Pressure Gauge
WJ06	1.5" Dial, 1/8" Back Connection, Dry Case, Brass Internals Pressure Gauge
WJ14	2" Dial, 1/4" Bottom Connection, Dry Case, Brass Internals Pressure Gauge
WJ18	2" Dial, 1/8" Back Connection, Dry Case, Brass Internals Pressure Gauge
WJ20	2" Dial, 1/4" Back Connection, Dry Case, Brass Internals Pressure Gauge
WJ26	2" Dial, 1/4" Back Connection U-Clamp, Dry Case, Brass Internals Pressure Gauge
WJ46	2.5" Dial, 1/4" Bottom Connection, Dry Case, Brass Internals Pressure Gauge
WJ54	2.5" Dial, 1/4" Back Connection, Dry Case, Brass Internals Pressure Gauge
WJ62	2.5" Dial, 1/4" Back Connection U-Clamp, Dry Case, Brass Internals Pressure Gauge
WJ80	3.5" Dial, 1/4" Bottom Connection, Dry Case, Brass Internals Pressure Gauge
WJ88	3.5" Dial, 1/4" Back Connection U-Clamp, Dry Case, Brass Internals Pressure Gauge
WJ90	4" Dial, 1/4" Bottom Connection, Dry Case, Brass Internals Pressure Gauge
WJ72	2.5" Dial, 1/4" Back Connection U-Clamp, LF, Brass Internals Pressure Gauge
WJ76	2.5" Dial, 1/4" Bottom Connection, LF, Brass Internals Pressure Gauge
WJ11	1.5" Dial, 1/8" Bottom Connection, LF, SST Internals Pressure Gauge
WJ10	1.5" Dial, 1/8" Back Connection, LF, SST Internals Pressure Gauge
WJ13	2" Dial, 1/4" Bottom Connection, LF, SST Internals Pressure Gauge
WJ15	2" Dial, 1/4" Back Connection, LF, SST Internals Pressure Gauge
WJ78	2.5" Dial, 1/4" Bottom Connection, LF, SST Internals Pressure Gauge
WJ74	2.5" Dial, 1/4" Back Connection U-Clamp, LF, SST Internals Pressure Gauge
WH101	4" Dial, 1/4" Bottom Connection, LF, Brass Internals Pressure Gauge
WH103	4" Dial, 1/4" Back Connection U-Clamp, LF, Brass Internals Pressure Gauge
WH107	4" Dial, 1/4" Bottom Connection, LF, SST Internals Pressure Gauge
WH108	4" Dial, 1/4" Back Connection U-Clamp, LF, SST Internals Pressure Gauge
WH109	4" Dial, 1/2" Bottom Connection, LF, SST Internals Pressure Gauge
WH209	6" Dial, 1/2" Bottom Connection, LF, SST Internals Pressure Gauge
WP51	4.5" Dial, 1/4" Bottom Connection, LF, SST Internals Plastic Safety Case Gauge
WP56	4.5" Dial, 1/2" Bottom Connection, LF, SST Internals Plastic Safety Case Gauge
WP61	4.5" Dial, 1/4" Bottom Connection, LF, SST Internals SST Safety Case Gauge
WP66	4.5" Dial, 1/2" Bottom Connection, LF, SST Internals SST Safety Case Gauge
WH94	4.5" Dial, 1/4" Bottom Connection, Dry Case, Brass Internals Contractor Gauge

2	Pressure Rating
05	05 = 0 to -30" HG Vacuum Only 60 60 = 0-400 PSI / KPA
10	10 = -30" HG Vacuum x 15 PSI 62 62 = 0-500 PSI / KPA
12	12 = -30" HG Vacuum x 30 PSI 64 64 = 0-600 PSI / KPA
14	14 = -30" HG Vacuum x 60 PSI 68 68 = 0-800 PSI / KPA
16	16 = -30" HG Vacuum x 100 PSI 72 72 = 0-1000 PSI / KPA
18	18 = -30" HG Vacuum x 150 PSI 74 74 = 0-1500 PSI / KPA
24	24 = -30" HG Vacuum x 300 PSI 76 76 = 0-2000 PSI / KPA
40	40 = 0-15 PSI / KPA 78 78 = 0-3000 PSI / KPA
42	42 = 0-30 PSI / KPA 82 82 = 0-5000 PSI / KPA
46	46 = 0-60 PSI / KPA 84 84 = 0-6000 PSI / KPA
48	48 = 0-100 PSI / KPA 86 86 = 0-7500 PSI / KPA
52	52 = 0-160 PSI / KPA 90 90 = 0-10,000 PSI / KPA
54	54 = 0-200 PSI / KPA 92 92 = 0-15,000 PSI / KPA
58	58 = 0-300 PSI / KPA 94 94 = 0-20,000 PSI / KPA

* Gauges will have a "P" at the end of the part number to represent a liquid filled gauge

WGI Thermometer Part Number Breakdown

1	Series	2	Stem Length	3	Range
	WL53		1		02

1	Series
WL11	2" Dial 1/4" Back Connection
WL21	2" Dial 1/2" Back Connection
WL31	3" Dial 1/2" Back Connection
WL33	3" Dial 1/2" Adjustable Angle
WL51	5" Dial 1/2" Back Connection
WL53	5" Dial 1/2" Adjustable Angle

2	Stem Length
1	2.5" Stem
2	4" Stem
3	6" Stem
5	12" Stem
6	15" Stem
4	9" Stem
7	18" Stem

3	Range
02	40 to 160F (-40 to 70C)
05	0 to 250F (-20 to 120C)
06	50 to 300F (10 to 150C)
08	50 to 500F (10 to 260C)
10	150 to 750F (50 to 400C)
11	200 to 1000F (100 to 550C)

WGI Needle Valve Part Number Breakdown

1	Series	2	Configuration	3	Size
	WN15		5		2

1	Series
WM215	2 Valve 6000 PSI CS NACE Manifold
WM213	2 Valve 6000 PSI SST Manifold
WM315	3 Valve 6000 PSI CS Nace Manifold
WM313	3 Valve 6000 PSI SST Manifold
WM555	5 Valve 6000 PSI CS NACE Manifold (FN on the end of part number for Flanged x NPT)
WM553	5 Valve 6000 PSI SST Manifold (FN on the end of part number for Flanged x NPT)
WN95	CS NACE 10,000 PSI Block & Bleed Needle Valve
WN97	SST 10,000 PSI Block & Bleed Needle Valve
WN75	CS NACE 10,000 PSI Multiport Needle Valves
WN85	SST 10,000 PSI Multiport Needle Valves (Part number may have 1L (1" Lag) or 3L (3" Lag) at the end for Lagged multiport needle valves.
WN55	CS NACE 6000 PSI Soft Seat Needle Valve
WN53	SST 6000 PSI Soft Seat Needle Valve
WN01	600 PSI Brass Mini Needle Valve
WN04	6000 PSI SST Mini Needle Valve
WN06	6000 PSI CS Mini Needle Valve
WN14	6000 PSI SST Packager Needle Valve (P will be on the od of part number to represent Packager Series)
WN16	6000 PSI CS Packager Needle Valve (PN will be on the end of part number to represent Packager Series NACE)
WN13	10,000 PSI SST Hard Seat Needle Valve
WN15	10,000 PSI CS Hard Seat Needle Valve

2	Configuration
1	FxF Globe Pattern
3	MxF Globe Pattern
5	FxF Angle Pattern
7	MxF Angle Pattern

3	Size
1	1/8"
2	1/4"
3	3/8"
4	1/2"
5	1/2" MNPT x 1/4" FNPT
6	3/4"
7	3/4" MNPT x 1/2" FNPT
8	1"

General Information

Factors to Consider When Selecting a Pressure Gauge

Pressure Gauge Operating Principle

Most standard dial type pressure gauges use a bourdon tube-sensing element generally made of a copper alloy (brass) or stainless steel for measuring pressures 15 PSI and above. Bourdon tube gauges are the industry standard when measuring pressure and vacuum. The construction is simple yet rugged and eliminates the need of any additional power source. During operation, the C-shaped or spirally wound bourdon tube flexes when pressure is applied producing a rotational movement, which in turn causes the pointer to indicate the measured pressure. These gauges are generally suitable for all clean and non-clogging liquids and gaseous media. Low pressure gauges typically use an extremely sensitive and highly accurate capsule design for measuring gaseous media from as low as 15 INWC to 240 INWC (10 PSI). On the other hand, digital gauges use an electronic pressure sensor to measure the pressure and then transmit it to a digital display readout.

Gauge Sizing

The gauge size is defined as the diameter of the dial (ANSI) or case (DIN) for both bourdon tube or capsule pressure gauges. The dial is the viewing area of the gauge that displays the pressure scale and needle pointer. Gauges are available in a wide range of sizes from 1½" up to 12". Generally gauges of higher quality incorporate a larger dial or case.

Mounting & Connections

Lower mount (LM), center back mount (CBM) and/or lower back mount (LBM) are available for most gauge types. Most standard gauges have NPT threaded connections. Many gauges can be panel mounted using either a U-clamp bracket or a front flange option. Pressure gauges should be mounted in the upright position whenever possible.

Pressure Range

A gauge range of twice the normal working pressure is generally selected. The maximum operating pressure in all cases should be limited to 75% of the gauge range. Where alternating pressure and pulsation are encountered, working pressure should be limited to 2/3 of the gauge range.

Pressure Fluid Composition

Copper alloy (brass) or stainless steel is the standard wetted parts (materials in contact with the pressure process media) available on most pressure gauges. Since the sensing element of a pressure gauge may be exposed directly to the measured medium, it is important to consider the characteristics of this media. It may be corrosive, solidify at various temperatures, or contain solids that may leave deposits inside the sensing element. Based on these characteristics, a standard bourdon tube gauge is recommended when pressure fluids that will not solidify under normal conditions or leave deposits is present. Otherwise, a seal-gauge or gauge with a chemical seal/gauge protector should be considered.

Gauge Case & Housing

Stainless steel, black ABS and painted steel are standard case materials, a material suitable for every application. Stainless or ABS cases are recommended for outdoor service. While industrial and process gauges come standard with silicone, or a glycerin fill is an option.

Front Ring & Window

The front ring of the gauge holds the viewing window in place and is available in a number of choices including acrylic, stainless steel, brass, steel and thermoplastic. Some rings are a permanent crimp design, while others can be removed providing dial/pointer access for recalibration or repair. Window materials are typically clear acrylic, polycarbonate, flat glass or safety glass.

Temperature & Ambient Conditions

The normal ambient temperature range for most standard dry or silicone filled gauges is -40° F — 140° F and -4° F — 140° F for glycerin filled gauges. The error caused by temperature change is +/- 0.3% per 18° F rise or fall, respectively. This correction represents the temperature of the gauge and not the temperature of the measured medium. Steam and other hot media may raise the safe working limits of the gauge where siphons, cooling towers or chemical diaphragm seals may be required. Moisture and weather effects must also be considered. Thus, liquid filled gauges can mitigate condensation build up while stainless steel, brass or plastic cased gauges are recommended for outdoor use.

Accuracy

Gauges are available with accuracies spanning from +/- 3/2/3% to 0.05% (ASME grade B to grade 4A). Gauges with +/- 3/2/3% of span accuracy offer a +/- 2% of span accuracy over the middle third of the scale and +/- 3% of span on the balance of the scale.

Liquid Filled Option

The liquid fill must be compatible with the gauge application accordingly. Liquid filled gauges help absorb vibration and pressure spikes thus increasing the service life of the gauge. The dampening action of the liquid reduces pointer flutter and lubricates the internal parts dramatically reducing wear in the movement. Silicone is the WGI standard fill fluid and provides the best performance across most applications. Silicone has a low viscosity and works well when extreme temperature fluctuation or icing is expected.

Shock, Vibration & Pulsation

Consider liquid filled gauges to enhance the reliability and integrity of the measuring system when operating for long periods under extreme operating conditions. In addition, optional pressure snubbers will reduce pressure spikes and pulsation, pointer flutter and extend the life of the gauge.

Chemical Diaphragm Seals & Gauge Protection

Diaphragm seals are used to isolate pressure gauges and transmitters from clogging and/or corrosive media. Measurement of higher media temperatures can be obtained by adding a seal. Diaphragm seal systems can extend the life of the pressure instruments and reduce the cost of installation and maintenance. Standard diaphragm seal bodies and diaphragms are made of stainless steel (other materials and options are available).

Burst Pressure Rating

WGI pressure gauges have been designed to withstand 30% over the pressure range without damage to the gauge accuracy. In addition, each bourdon tube has been burst tested to 2.5 times the pressure rating for safety purposes.



The WGI “Cactus” logo is the trademark of excellence defining all WGI products to strict standards of quality workmanship and reliability. All WGI products are manufactured in an ISO 9001 Certified facility and have appropriate Canadian Registration Numbers (CRN) meaning that our products have been accepted and registered in each associated Province and/or Territory across Canada.

Pressure Gauges

WGI Classic Series Pressure Gauges (Dry)

CRN

WGI Classic series pressure gauges are for general service applications where cost savings are needed. WGI Classic series gauges are used in many different applications such as pumping systems, hydraulic or pneumatic systems, compressor packages and as a contractors gauge.

Specifications

Case Material	Black Case - Power Coated
Fill Fluid	None
Lens Material	Glass
Dial	White aluminum with black and red lettering (UV resistant paint)
Pointer	Black aluminum
Accuracy	± 3%-2%-3% ASME B40.1 Grade B
Tube & Socket	Brass tube soldered to brass socket
Temperature Limits	-20°C (-4°F) — 70°C (158°F) ambient and medium
Pressure Ranges	-30" Hg Vacuum to 1,000 PSI / kPa
Sizes	1½", 2", 2½", 3½", 4"

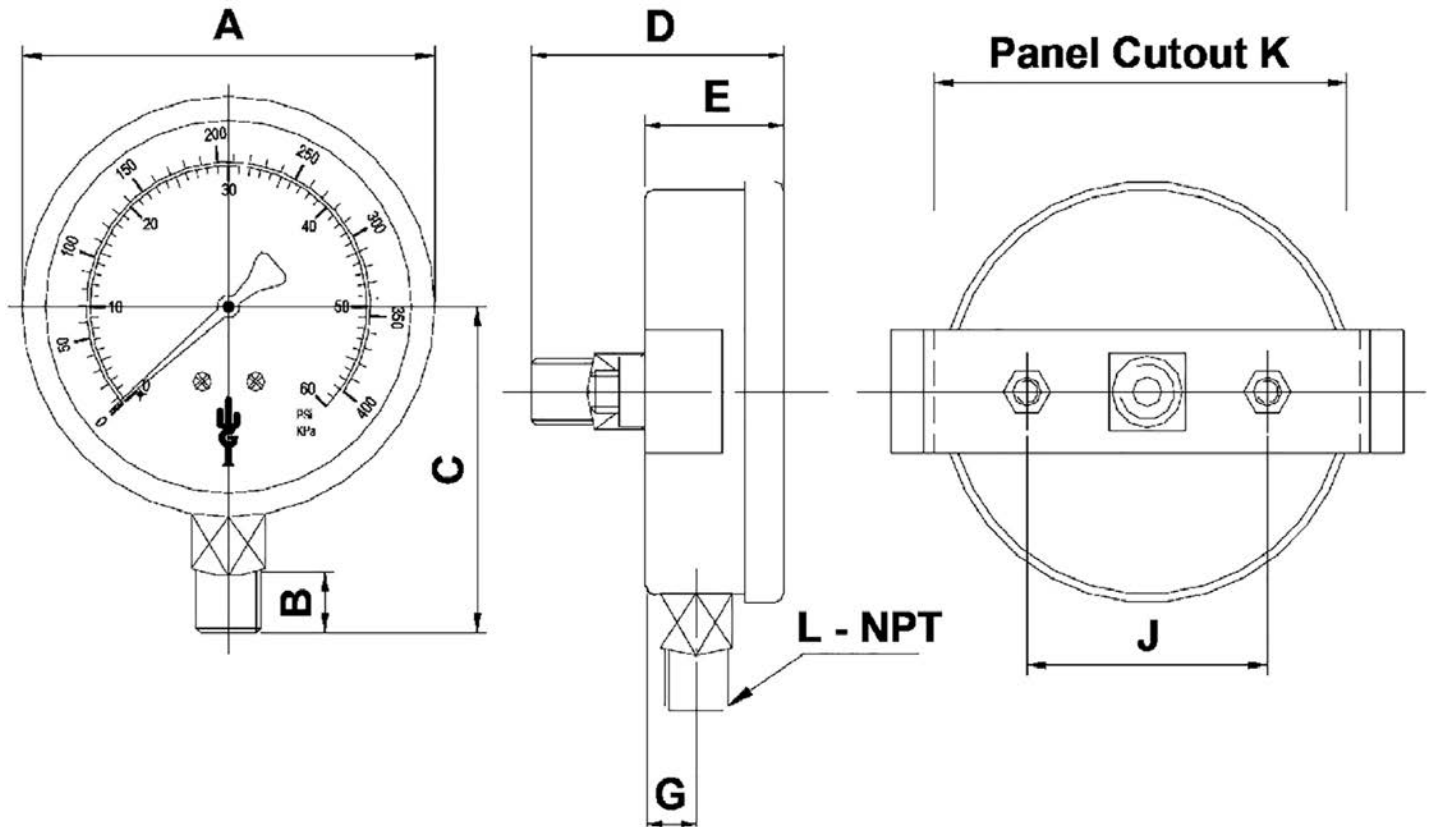


Pressure Range Cross Reference Chart

Series	Classic 150		Classic 200				Classic 250			Classic 350		Classic 400
	1/8" BTM	1/8" CBM	1/4" BTM	1/8" CBM	1/4" CBM	1/4" CBU	1/4" BTM	1/4" CBM	1/4" CBU	1/4" BTM	1/4" CBU	1/4" BTM
Dial Size	1½" Dial	1½" Dial	2" Dial	2" Dial	2" Dial	2" Dial	2½" Dial	2½" Dial	2½" Dial	3½" Dial	3½" Dial	4" Dial
30" Hg Vac	WJ0405	WJ0605	WJ1405	*N/S	WJ2005	WJ2605	WJ4605	*N/S	WJ6205	WJ8005	WJ8805	N/A
30" Hg x 30 PSI	WJ0412	WJ0612	WJ1412	*N/S	WJ2012	WJ2612	WJ4612	*N/S	WJ6212	WJ8012	WJ8812	N/A
30" Hg x 160 PSI	*N/S	*N/S	*N/S	*N/S	WJ2018	WJ2618	WJ4618	*N/S	WJ6218	WJ8018	WJ8818	N/A
30" Hg x 300 PSI	*N/S	*N/S	*N/S	*N/S	*N/S	WJ2624	WJ4624	*N/S	WJ6224	WJ8024	WJ8824	N/A
0-15 PSI / kPa	WJ0440	WJ0640	WJ1440	N/S	WJ2040	WJ2640	WJ4640	WJ5440	WJ6240	WJ8040	WJ8840	N/A
0-30 PSI / kPa	WJ0442	WJ0642	WJ1442	WJ1842	WJ2042	WJ2642	WJ4642	WJ5442	WJ6242	WJ8042	WJ8842	WJ9042
0-60 PSI / kPa	WJ0446	WJ0646	WJ1446	WJ1846	WJ2046	WJ2646	WJ4646	WJ5446	WJ6246	WJ8046	WJ8846	WJ9046
0-100 PSI / kPa	WJ0448	WJ0648	WJ1448	WJ1848	WJ2048	WJ2648	WJ4648	WJ5448	WJ6248	WJ8048	WJ8848	WJ9048
0-160 PSI / kPa	WJ0452	WJ0652	WJ1452	WJ1852	WJ2052	WJ2652	WJ4652	WJ5452	WJ6252	WJ8052	WJ8852	WJ9052
0-200 PSI / kPa	WJ0454	WJ0654	WJ1454	WJ1854	WJ2054	WJ2654	WJ4654	WJ5454	WJ6254	WJ8054	WJ8854	WJ9054
0-300 PSI / kPa	WJ0458	WJ0658	WJ1458	*N/S	WJ2058	WJ2658	WJ4658	*N/S	WJ6258	WJ8058	WJ8858	WJ9058
0-400 PSI / kPa	WJ0460	WJ0660	WJ1460	*N/S	WJ2060	WJ2660	WJ4660	*N/S	WJ6260	WJ8060	WJ8860	*N/S
0-600 PSI / kPa	WJ0464	WJ0664	WJ1464	*N/S	WJ2064	WJ2664	WJ4664	*N/S	WJ6264	WJ8064	WJ8864	*N/S
0-1,000 PSI / kPa	WJ0472	WJ0672	WJ1472	*N/S	WJ2072	WJ2672	WJ4672	*N/S	WJ6272	WJ8072	WJ8872	*N/S

Index: BTM = Bottom Mount | CBM = Center Back | CBU = Center Back U-Clamp

* Not in Stock



Dimensions

Series	A	B	C	D	E	G	J	K	L
WJ04	42 / 1.65	10.0 / 0.39	34.0 / 1.3	N/A	23.0 / 0.9	8.0 / 0.3	N/A	N/A	1/4" NPT
WJ06	42 / 1.65	10.0 / 0.39	N/A	41.0 / 1.6	25.0 / 0.98	N/A	N/A	N/A	1/4" NPT
WJ14	52.5 / 2.06	10.0 / 0.39	46.0 / 1.8	N/A	28.0 / 1.1	10.0 / 0.4	N/A	N/A	1/4" NPT
WJ18	52.5 / 2.06	12.0 / 0.47	N/A	48.0 / 1.8	28.0 / 1.1	N/A	N/A	N/A	1/4" NPT
WJ20	52.5 / 2.06	12.0 / 0.47	N/A	48.0 / 1.8	28.0 / 1.1	N/A	N/A	N/A	1/4" NPT
WJ26	58.0 / 2.2	12.0 / 0.47	N/A	48.0 / 1.8	30.0 / 1.18	N/A	35	51.5 / 2.0	1/4" NPT
WJ46	68.0 / 2.6	12.0 / 0.47	50.0 / 1.9	N/A	28.0 / 1.1	10.0 / 0.4	N/A	N/A	1/4" NPT
WJ54	68.0 / 2.6	12.0 / 0.47	N/A	48.0 / 1.8	28.0 / 1.1	N/A	N/A	N/A	1/4" NPT
WJ62	68.0 / 2.6	12.0 / 0.47	N/A	48.0 / 1.8	30.0 / 1.18	N/A	48	62.5 / 2.0	1/4" NPT
WJ80	89.0 / 3.5	12.0 / 0.47	50.0 / 1.9	N/A	29.0 / 1.14	12.0 / 0.47	N/A	N/A	1/4" NPT
WJ88	98.0 / 3.8	12.0 / 0.47	N/A	51.0 / 2.0	32.0 / 1.2	N/A	75	88.0 / 3.4	1/4" NPT
WJ90	100.5 / 3.95	13 / 0.51	75 / 2.9	N/A	34 / 1.33	23.5 / 0.92	N/A	N/A	1/4" NPT

Dimensions: mm / inch

Pressure Gauges

WGI Elite Brass Series Pressure Gauges (Liquid Filled)

CRN

WGI Elite series brass pressure gauges have a 304 stainless steel case for use in harsh or corrosive environments. These gauges are liquid filled for significant cushioning and pulsation dampening which reduces pointer flutter and internal damage. Industries suited for these gauges include oil and gas equipment, refineries, hydraulic equipment, agricultural equipment, pressure washers, pumps, compressors and process systems.

Specifications

Case Material	304 SS, top nitrile vent plug with valve and lens seal
Fill Fluid	Silicone
Lens Material	Acrylic and safety glass (ranges over 5,000 PSI)
Dial	White aluminum with black and red lettering (UV Resistant Paint)
Pointer	Black aluminum
Accuracy	± 2%-1%-2% ASME B40.1 Grade A
Tube & Socket	Brass tube silver soldered to brass socket
Temperature Limits	-76°F — 158°F (-60°C — 70°C) ambient and medium
Pressure Ranges	-30" Hg Vacuum to 10,000 PSI / kPa
Sizes	2½", 4"

Three Hole Front Flange

Part Number 2½" Dial	Part Number 4" Dial
127751	127754



Pressure Range Cross Reference Chart

Series	Elite 250 Brass		Elite 400 Brass	
	1/4" BTM	1/4" CBU	1/4" BTM	1/4" LBU
Connection	1/4" BTM	1/4" CBU	1/4" BTM	1/4" LBU
Dial Size	2½" Dial	2½" Dial	2½" Dial	4" Dial
30" Hg Vac / -kPa	WJ7605P	WJ7205P	WH10105P	WH10305P
30" Hg x 15 PSI / kPa	WJ7610P	WJ7210P	WH10110P	WH10310P
30" Hg x 30 PSI / kPa	WJ7612P	WJ7212P	WH10112P	WH10312P
30" Hg x 60 PSI / kPa	WJ7614P	WJ7214P	WH10114P	WH10314P
30" Hg x 100 PSI / kPa	WJ7616P	WJ7216P	WH10116P	WH10316P
30" Hg x 150 PSI / kPa	WJ7618P	WJ7218P	WH10118P	WH10318P
30" Hg x 300 PSI / kPa	WJ7624P	WJ7224P	WH10124P	WH10324P
0-15 PSI / kPa	WJ7640P	WJ7240P	WH10140P	WH10340P
0-30 PSI / kPa	WJ7642P	WJ7242P	WH10142P	WH10342P
0-60 PSI / kPa	WJ7646P	WJ7246P	WH10146P	WH10346P
0-100 PSI / kPa	WJ7648P	WJ7248P	WH10148P	WH10348P
0-160 PSI / kPa	WJ7652P	WJ7252P	WH10152P	WH10352P
0-200 PSI / kPa	WJ7654P	WJ7254P	WH10154P	WH10354P

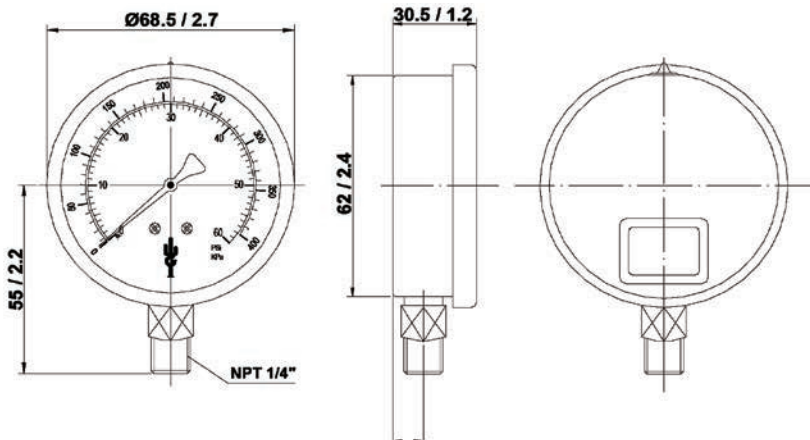
Index: BTM = Bottom Mount | CBM = Center Back | CBU = Center Back U-Clamp

Pressure Range Cross Reference Chart

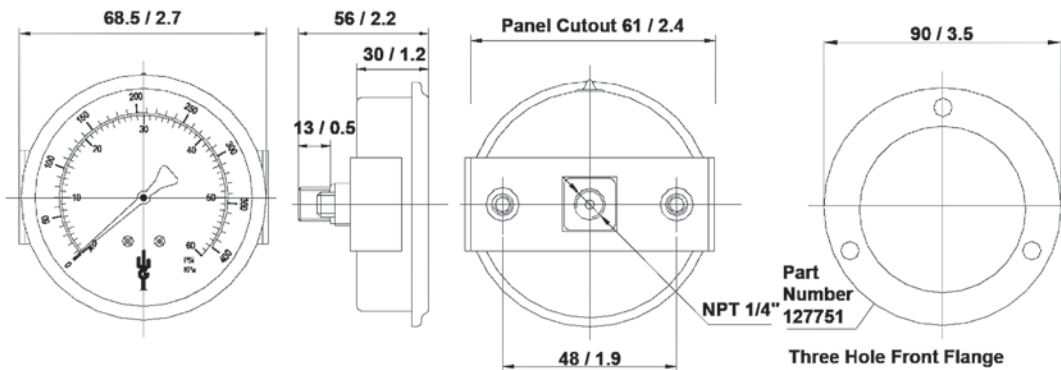
Series	Elite 250 Brass		Elite 400 Brass	
	1/4" BTM	1/4" CBU	1/4" BTM	1/4" LBU
Connection	1/4" BTM	1/4" CBU	1/4" BTM	1/4" LBU
Dial Size	2½" Dial	2½" Dial	2½" Dial	4" Dial
0-300 PSI / kPa	WJ7658P	WJ7258P	WH10158P	WH10358P
0-400 PSI / kPa	WJ7660P	WJ7260P	WH10160P	WH10360P
0-600 PSI / kPa	WJ7664P	WJ7264P	WH10164P	WH10364P
0-800 PSI / kPa	WJ7668P	WJ7268P	WH10168P	WH10368P
0-1,000 PSI / kPa	WJ7672P	WJ7272P	WH10172P	WH10372P
0-1,500 PSI / kPa	WJ7674P	WJ7274P	WH10174P	WH10374P
0-2,000 PSI / kPa	WJ7676P	WJ7276P	WH10176P	WH10376P
0-3,000 PSI / kPa	WJ7678P	WJ7278P	WH10178P	WH10378P
0-5,000 PSI / kPa	WJ7682P	WJ7282P	WH10182P	WH10382P
0-6,000 PSI / kPa	WJ7684P	WJ7284P	WH10184P	WH10384P
0-7,500 PSI / kPa	WJ7686P	WJ7286P	WH10186P	WH10386P
0-10,000 PSI / kPa	WJ7690P	WJ7290P	WH10190P	WH10390P

All rights reserved. All valves information and its contents hereof are proprietary to WGI. Any unauthorized reproduction or disclosure, in whole or in part is strictly prohibited. All valves materials, images and data sheets in this catalogue / brochure is for general information and shall not be used for specific performance data and material selection without first consulting with WGI. WGI reserves the right to change the enclosed valves information without notice. WGI does not accept any liability or damages arising from the use of any valve information within this document. All trademarks and registered trademarks are owned by their respective companies.

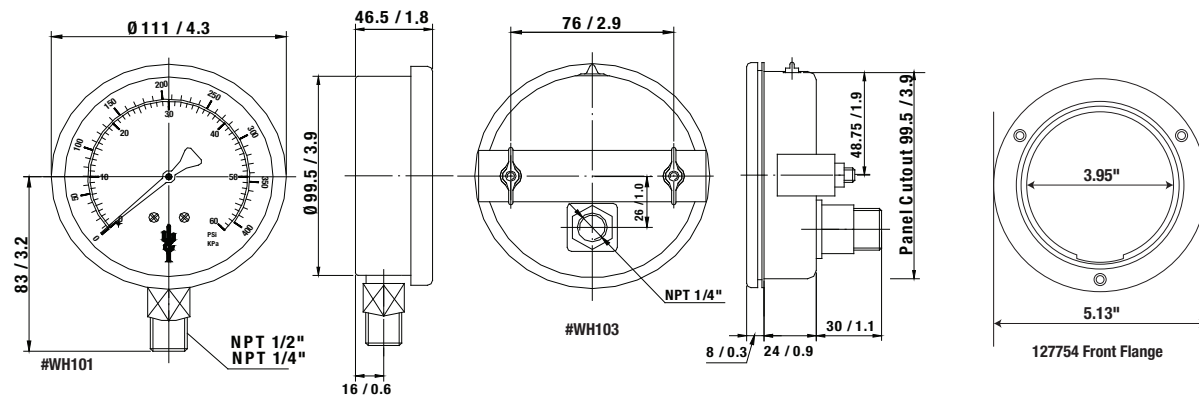
Elite 250 Brass – Bottom Mount



Elite 250 – Back Mount U-Clamp



Elite 400 – Lower Back U-Clamp & Bottom Mount



Dimensions: mm / inch

Pressure Gauges

WGI Elite Stainless Steel Series Pressure Gauges (Liquid Filled)

CRN

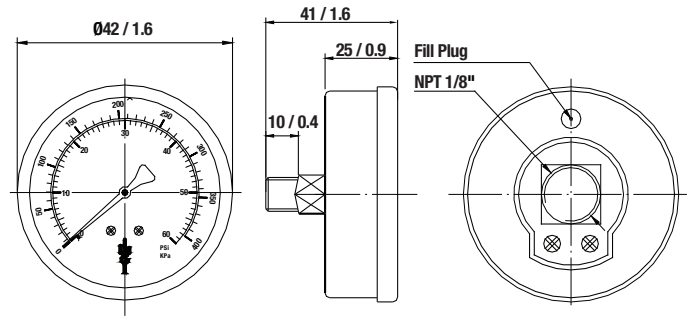


WGI Elite series stainless steel pressure gauges have a 304 stainless steel case for use in harsh or corrosive environments. These gauges are liquid filled for significant cushioning and pulsation dampening which reduces pointer flutter and internal damage. Industries suited for these gauges include oil and gas equipment, refineries, hydraulic equipment, agricultural equipment, pressure washers, pumps, compressors and process systems.

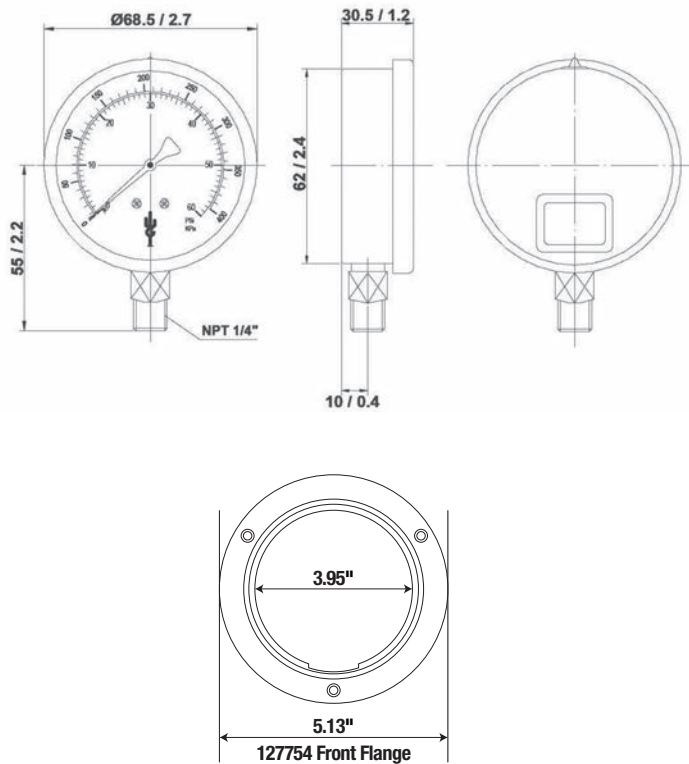
Specifications

Case Material	304 SS, top nitrile vent plug with valve and lens seal
Fill Fluid	Silicone
Lens Material	Acrylic and safety glass (safety glass standard on WH109)
Dial	White aluminum with black and red lettering (UV Resistant Paint)
Pointer	Black aluminum
Accuracy	Elite 150/250 ± 2%-1%-2% ASME B40.1 Grade B Elite 600 + 400 ± 1% full scale ASME B40.1 Grade A
Tube & Socket	316L SS NACE MR 0175
Temperature Limits	-76°F — 158°F (-60°C — 70°C) ambient and medium
Pressure Ranges	-30" Hg Vacuum to 15,000 PSI / kPa
Sizes	1½", 2", 2½", 4", 6"

Elite 150 Stainless Steel – Center Back Mount

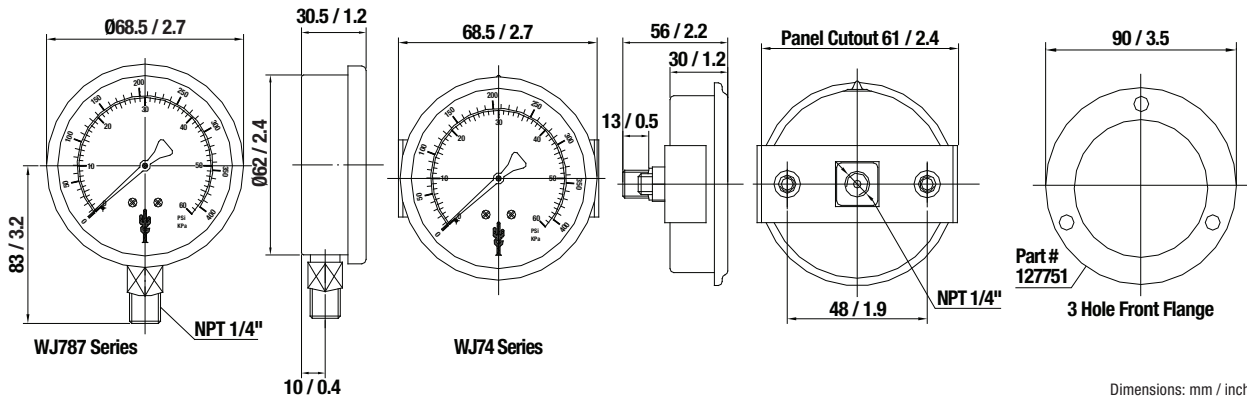


Elite 200 Stainless – Bottom Mount



Dimensions: mm / inch

Elite 250 Stainless Steel – Bottom Mount & U-Clamp



Dimensions: mm / inch

Pressure Range Cross Reference Chart

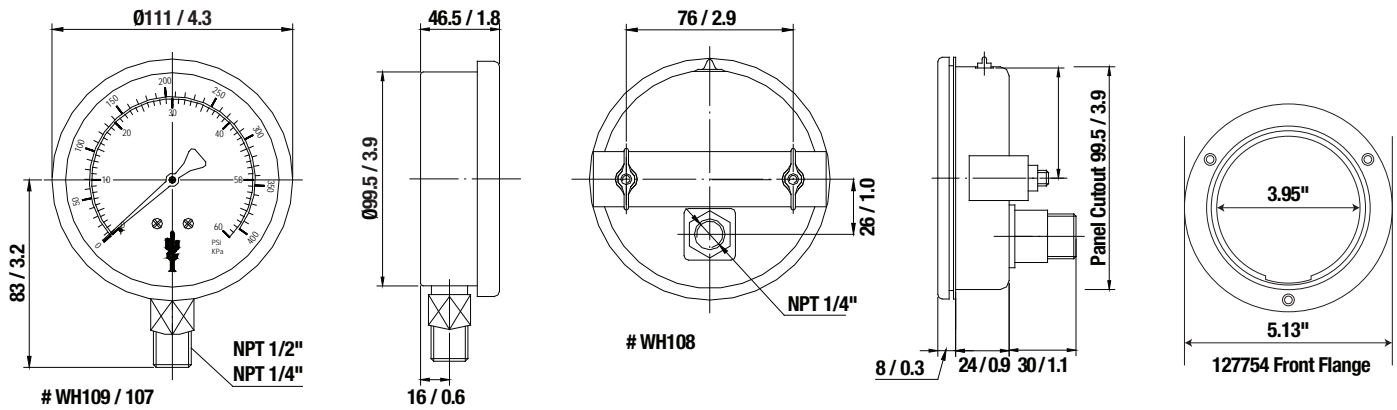
Series	Elite 150		Elite 200		Elite 250		Elite 400		Elite 600	
	1/8" BTM	1/8" CBM	1/4" BTM	1/4" CBM	1/4" BTM	1/4" CBU	1/4" BTM	1/4" LBU	1/2" BTM	1/2" BTM
Dial Size	1 1/2" Dial	1 1/2" Dial	2" Dial	2" Dial	2 1/2" Dial	2 1/2" Dial	4" Dial	4" Dial	4" Dial	6" Dial
30" Hg Vac / -kPa	*N/S	*N/S	*N/S	*N/S	WJ7805P	WJ7405P	WH10705P	WH10805P	WH10905P	WH20905P
30" Hg x 15 PSI / kPa	*N/S	*N/S	*N/S	*N/S	WJ7810P	WJ7410P	WH10710P	WH10810P	WH10910P	WH20910P
30" Hg x 30 PSI / kPa	*N/S	*N/S	*N/S	*N/S	WJ7812P	WJ7412P	WH10712P	WH10812P	WH10912P	WH20912P
30" Hg x 60 PSI / kPa	*N/S	*N/S	*N/S	*N/S	WJ7814P	WJ7414P	WH10714P	WH10814P	WH10914P	WH20914P
30" Hg x 100 PSI / kPa	*N/S	*N/S	*N/S	*N/S	WJ7816P	WJ7416P	WH10716P	WH10816P	WH10916P	WH20916P
30" Hg x 150 PSI / kPa	*N/S	*N/S	*N/S	*N/S	WJ7818P	WJ7418P	WH10718P	WH10818P	WH10918P	WH20918P
30" Hg x 300 PSI / kPa	*N/S	*N/S	*N/S	*N/S	WJ7824P	WJ7424P	WH10724P	WH10824P	WH10924P	WH20924P
0-15 PSI / kPa	*N/S	*N/S	*N/S	*N/S	WJ7840P	WJ7440P	WH10740P	WH10840P	WH10940P	WH20940P
0-30 PSI / kPa	WJ1142P	WJ1042P	WJ1342P	WJ1542P	WJ7842P	WJ7442P	WH10742P	WH10842P	WH10942P	WH20942P
0-60 PSI / kPa	WJ1146P	WJ1046P	WJ1346P	WJ1546P	WJ7846P	WJ7446P	WH10746P	WH10846P	WH10946P	WH20946P
0-100 PSI / kPa	WJ1148P	WJ1048P	WJ1348P	WJ1548P	WJ7848P	WJ7448P	WH10748P	WH10848P	WH10948P	WH20948P
0-160 PSI / kPa	WJ1152P	WJ1052P	WJ1352P	WJ1552P	WJ7852P	WJ7452P	WH10752P	WH10852P	WH10952P	WH20952P
0-200 PSI / kPa	WJ1154P	WJ1054P	WJ1354P	WJ1554P	WJ7854P	WJ7454P	WH10754P	WH10854P	WH10954P	WH20954P
0-300 PSI / kPa	WJ1158P	WJ1058P	WJ1358P	WJ1558P	WJ7858P	WJ7458P	WH10758P	WH10858P	WH10958P	WH20958P
0-400 PSI / kPa	*N/S	*N/S	*N/S	*N/S	WJ7860P	WJ7460P	WH10760P	WH10860P	WH10960P	WH20960P
0-500 PSI / kPa	*N/S	*N/S	*N/S	*N/S	WJ7862P	WJ7462P	WH10762P	WH10862P	WH10962P	WH20962P
0-600 PSI / kPa	*N/S	*N/S	*N/S	*N/S	WJ7864P	WJ7464P	WH10764P	WH10864P	WH10964P	WH20964P
0-800 PSI / kPa	*N/S	*N/S	*N/S	*N/S	WJ7868P	WJ7468P	WH10768P	WH10868P	WH10968P	WH20968P
0-1,000 PSI / kPa	*N/S	*N/S	*N/S	*N/S	WJ7872P	WJ7472P	WH10772P	WH10872P	WH10972P	WH20972P
0-1,500 PSI / kPa	*N/S	*N/S	*N/S	*N/S	WJ7874P	WJ7474P	WH10774P	WH10874P	WH10974P	WH20974P
0-2,000 PSI / kPa	*N/S	*N/S	*N/S	*N/S	WJ7876P	WJ7476P	WH10776P	WH10876P	WH10976P	WH20976P
0-3,000 PSI / kPa	*N/S	*N/S	*N/S	*N/S	WJ7878P	WJ7478P	WH10778P	WH10878P	WH10978P	WH20978P
0-5,000 PSI / kPa	*N/S	*N/S	*N/S	*N/S	WJ7882P	WJ7482P	WH10782P	WH10882P	WH10982P	WH20982P
0-6,000 PSI / kPa	*N/S	*N/S	*N/S	*N/S	WJ7884P	WJ7484P	WH10784P	WH10884P	WH10984P	WH20984P
0-7,500 PSI / kPa	*N/S	*N/S	*N/S	*N/S	WJ7886P	WJ7486P	WH10786P	WH10884P	WH10986P	WH20986P
0-10,000 PSI / kPa	*N/S	*N/S	*N/S	*N/S	WJ7890P	WJ7490P	WH10790P	WH10890P	WH10990P	WH20990P
0-20,000 PSI / kPa	*N/S	*N/S	*N/S	*N/S	*N/S	*N/S	*N/S	WH10894P	WH10994P	*N/S

Index: BTM = Bottom Mount | CBM = Center Back | CBU = Center Back U-Clamp

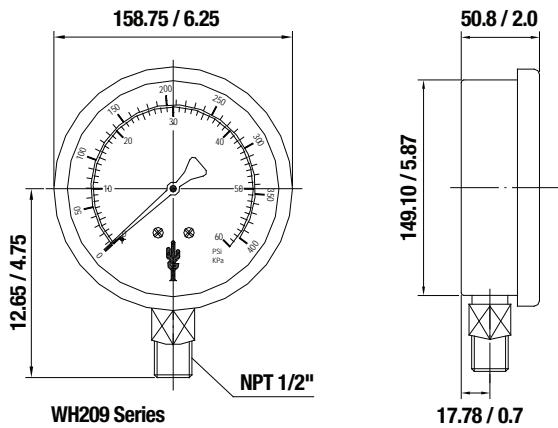
* Not in Stock

Pressure Gauges

Elite 400 Stainless Steel – Lower Back U-Clamp & Bottom Mount



Elite 600 Stainless – Bottom Mount



Dimensions: mm / inch

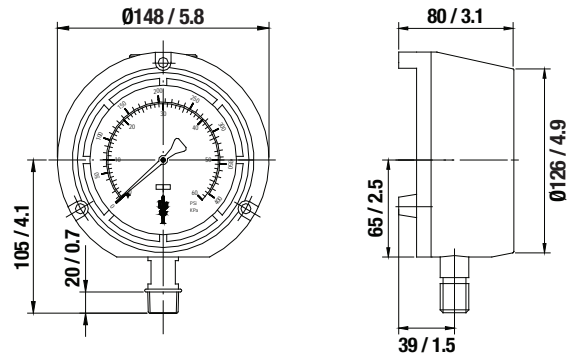
WGI Elite 450 Process Pressure Gauges (NACE)

CRN

WGI Elite 450 process gauge is engineered for the oil and gas and industrial process industries. The WGI Elite 450 process gauge was designed with the operator's safety in mind. In the event of overpressuring resulting in a leak, a solid wall separates the rupture forcing the process media through blowing out the back of the gauge.

Specifications

Case Material	Polypropylene safe case solid front with blowout back
Fill Fluid	Silicone
Lens Material	Acrylic
Dial	White aluminum with black and red lettering (UV Resistant Paint)
Pointer	Black aluminum
Accuracy	± 1.0% ASME B40.1 Grade 1A
Tube & Socket	316L SS
Temperature Limits	-40°F — 140°F (-40°C — 60°C) ambient and medium
Pressure Ranges	-30" Hg Vacuum to 20,000 PSI / kPa
Sizes	4½"



Pressure Range Cross Reference Chart

Series	Elite 450	
	Connection	
	Dial Size	
	*1/4" BTM	1/2" BTM
	4½" Dial	4½" Dial
30" Hg Vac / kPa	WP5105P	WP5605P
30" Hg x 15 PSI / kPa	WP5110P	WP5610P
30" Hg x 30 PSI / kPa	WP5112P	WP5612P
30" Hg x 60 PSI / kPa	WP5114P	WP5614P
30" Hg x 100 PSI / kPa	WP5116P	WP5616P
30" Hg x 150 PSI / kPa	WP5118P	WP5618P
30" Hg x 300 PSI / kPa	WP5124P	WP5624P
0-15 PSI / kPa	WP5140P	WP5640P
0-30 PSI / kPa	WP5142P	WP5642P
0-60 PSI / kPa	WP5146P	WP5646P
0-100 PSI / kPa	WP5148P	WP5648P
0-160 PSI / kPa	WP5152P	WP5652P
0-200 PSI / kPa	WP5154P	WP5654P
0-300 PSI / kPa	WP5158P	WP5658P

Pressure Range Cross Reference Chart

Series	Elite 450	
	Connection	
	Dial Size	
	*1/4" BTM	1/2" BTM
	4½" Dial	4½" Dial
0-400 PSI / kPa	WP5160P	WP5660P
0-600 PSI / kPa	WP5164P	WP5664P
0-1,000 PSI / kPa	WP5172P	WP5672P
0-1,500 PSI / kPa	WP5174P	WP5674P
0-2,000 PSI / kPa	WP5176P	WP5676P
0-3,000 PSI / kPa	WP5178P	WP5678P
0-5,000 PSI / kPa	WP5182P	WP5682P
0-6,000 PSI / kPa	WP5184P	WP5684P
0-7,500 PSI / kPa	WP5186P	WP5686P
0-10,000 PSI / kPa	WP5190P	WP5690P
0-15,000 PSI / kPa	WP5192P	WP5692P
0-20,000 PSI / kPa	WP5194P	WP5694P

Index: BTM = Bottom Mount | CBM = Center Back | CBU = Center Back U-Clamp

* Not in Stock Dimensions: mm / inch

Pressure Gauges

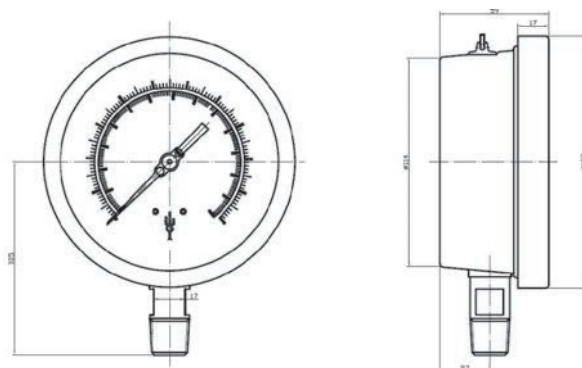
WGI Elite 450 All Stainless Safe Case

CRN

WGI Elite 450 process gauge has been engineered specifically for the oil and gas industrial process sector. This process gauge was designed with an operator's safety in mind. There is a metal plate inside the gauge that ensures that if a rupture occurs, the process will blow out the back of the case versus forward thus preventing any process being directed at the operator.

Specifications

Case Material	304 SS, top nitrile vent plug with valve and lens seal
Fill Fluid	Silicone (other fill fluids available upon request)
Lens Material	Laminated safety glass
Dial	White aluminum with black and red numerals
Pointer	Micrometer adjustable black aluminum
Accuracy	± 1.0% ASME B40.1 Grade 1A
Tube & Socket	316L SS tube welded to SS socket Internal components are heat treated to conform to NACE MRO-175-2003
Case Type / Material	Solid front, blowout back, 304 SS Case
Ring Type / Material	Screw-on, 304 SS
Ranges (all ranges not stocked)	Vacuum / Compound to 30" Hg / 0 / 60 PSI Pressure from 15 PSI to 20,000 PSI
Temperature Limits	-76°F — 158°F (-60°C — 70°C) ambient and medium
Pressure Ranges	-30" Hg Vacuum to 20,000 PSI / kPa
Sizes	4½" (115mm) Dial



Pressure Range Cross Reference Chart

Series	Elite 450	
	*1/4" BTM	1/2" BTM
Connection		
Dial Size	4½" Dial	4½" Dial
30" Hg Vac / -100 kPa	WP6105P	WP6605P
30" Hg x 30 PSI / -100 to 210 kPa	WP6112P	WP6612P
30" Hg x 60 PSI / -100 to 420 kPa	WP6114P	WP6614P
30" Hg x 100 PSI / -100 to 700 kPa	WP6116P	WP6616P
30" Hg x 160 PSI / -100 to 1,100 kPa	WP6118P	WP6618P
30" Hg x 300 PSI / -100 to 21,00 kPa	WP6124P	WP6624P
0-15 PSI / 105 kPa	WP6140P	WP6640P
0-30 PSI / 210 kPa	WP6142P	WP6642P
0-60 PSI / 420 kPa	WP6146P	WP6646P
0-100 PSI / 700 kPa	WP6148P	WP6648P
0-160 PSI / 1,100 kPa	WP6152P	WP6652P
0-200 PSI / 1,400 kPa	WP6154P	WP6654P
0-300 PSI / 2,100 kPa	WP6158P	WP6658P

Index: BTM = Bottom Mount | CBM = Center Back | CBU = Center Back U-Clamp

Pressure Range Cross Reference Chart

Series	Elite 450	
	*1/4" BTM	1/2" BTM
Connection		
Dial Size	4½" Dial	4½" Dial
0-400 PSI / 2,800 kPa	WP6160P	WP6660P
0-600 PSI / 4,200 kPa P	WP6164P	WP6664
0-1,000 PSI / 7,000 kPa	WP6172P	WP6672P
0-1,500 PSI / 10,000 kPa	WP6174P	WP6674P
0-2,000 PSI / 14,000 kPa	WP6176P	WP6676P
0-30,00 PSI / 21,000 kPa	WP6178P	WP6678P
0-5,000 PSI / 35,000 kPa	WP6182P	WP6682P
0-6,000 PSI / 42,000 kPa	WP6184P	WP6684P
0-7,500 PSI / 52,000 kPa	WP6186P	WP6686P
0-10,000 PSI / 70,000 kPa	WP6190P	WP6690P
0-15,000 PSI / 105,000 kPa	WP6192P	WP6692P
0-20,000 PSI / 130,000 kPa	WP6194P	WP6694P

* Not in Stock Dimensions: mm / inch

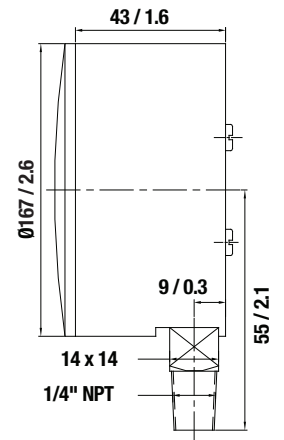
WGI Diaphragm Gauges (Dry)

CRN

WGI diaphragm gauges are sensitive instruments used in low pressure applications not exceeding 10 PSI. The diaphragm capsule is an elastic metal sensing element comprised of two thin wall diaphragms that are soldered together to make the capsule. Typical applications include air flow indicators, liquid level indicators, leak testers, natural gas gauges and any other application that requires precise measurement of pressures below 10 PSI.

Specifications

Case Material	Drawn Steel
Fill Fluid	None
Lens Material	Acrylic
Dial	White aluminum with black lettering
Pointer	Black aluminum
Accuracy	± 2-1-2% Full scale
Internals & Diaphragm	Brass & 316 SS
Temperature Limits	-40°F — 140°F (-40°C — 60°C) ambient and medium
Pressure Ranges	-100" H2O Vacuum to 10 PSI
Sizes	2½", 4"



Pressure Range Cross Reference Chart

Series	Brass			Stainless Steel		
	*1/4" BTM	1/4" BTM	1/2" BTM	1/4" BTM	1/4" BTM	1/2" BTM
Connection	*1/4" BTM	1/4" BTM	1/2" BTM	1/4" BTM	1/4" BTM	1/2" BTM
Dial Size	2 ½" Dial	4" Dial	4" Dial	2 ½" Dial	4" Dial	4" Dial
0-10" H2O / 2.5 kPa	WG22675	WG41675	WG42675	*N/S	*N/S	*N/S
0-15" H2O / 8.75 OZ / 3.7 kPa	WG22706	WG41706	WG42706	WG22706SS	WG41706SS	WG42706SS
0-15" H2O / 3.7 kPa	WG24500	WG41500	WG42500	*N/S	*N/S	*N/S
0-30" H2O / 7.5 kPa	WG22704	WG41704	WG42704	*N/S	*N/S	*N/S
0-35" H2O / 20 OZ / 8.6 kPa	WG22709	WG41709	WG42709	WG22709SS	WG41709SS	WG42709SS
0-55" H2O / 32 OZ / 13.8 kPa	WG22707	WG41707	WG42707	WG22707SS	WG41707SS	WG42707SS
0-100" H2O / 58 OZ / 25 kPa	WG22710	WG41710	WG42710	WG22710SS	WG41710SS	WG42710SS
0-3 PSI / 20 kPa	WG22685	WG41685	WG42685	WG22685SS	WG41685SS	WG42685SS
0-5 PSI / 34 kPa	WG22702	WG41702	WG42702	WG22702SS	WG41702SS	WG42702SS
0-10 PSI / 69 kPa	WG22699	WG41699	WG42699	WG22699SS	WG41699SS	WG42699SS
0-30" H2O / VAC x 50" H2O	WG22913	*N/S	WG42913	*N/S	*N/S	WG42913SS
0-15" H2O / VAC / - kPa	WG22912	-	-	*N/S	-	-
0-30" H2O / VAC / - kPa	WG22914	-	-	*N/S	-	-
0-60" H2O / VAC / - kPa	WG22918	-	-	*N/S	-	-
0-100" H2O / VAC / - kPa	WG24502	-	-	*N/S	-	-

Index: BTM = Bottom Mount | CBM = Center Back | CBU = Center Back U-Clamp

* Not in Stock Dimensions: mm / inch

Pressure Gauges

WGI Contractor Pressure Gauges (H.V.A.C.)

CRN

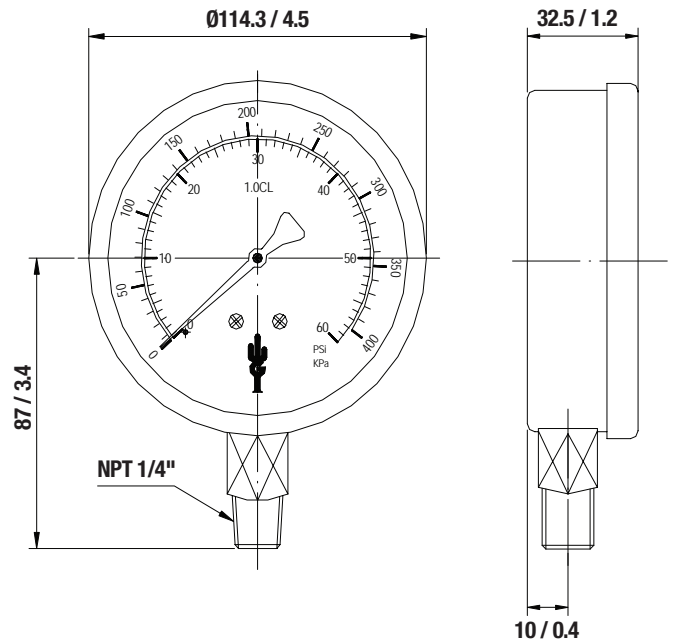
The WGI contractor pressure gauge was specifically designed for heating, ventilation, air conditioning and plumbing applications. The WGI contractor pressure gauge is ideal for use in any medium not corrosive to copper alloys such as air, oil, water and steam.

Specifications

Case Material	304 Stainless Steel
Fill Fluid	None
Lens Material	Acrylic
Dial	White aluminum with black and red numerals
Pointer	Black aluminum
Accuracy	± 1.0% full scale ASME B40.1 Grade 1A
Tube & Socket	Copper alloy / Brass
Temperature Limits	-20°C to 60°C ambient and medium
Pressure Ranges	-30" Hg to 600 psi
Sizes	4½" (115mm) Dial



Part Number	Range
WH9412	30" HG X 30 PSI / KPA
WH9416	30" HG X 100 PSI / KPA
WH9418	30" HG X 150 PSI/KPA
WH9440	15 PSI/KPA
WH9442	30 PSI / KPA
WH9446	60 PSI / KPA
WH9448	100 PSI / KPA
WH9452	160 PSI / KPA
WH9454	200 PSI / KPA
WH9458	300 PSI / KPA
WH9460	400 PSI / KPA
WH9464	600 PSI / KPA



Dimensions: mm / inch

Mid-West Instrument Differential Pressure Gauges

CRN

A low cost differential pressure gauge for use in measuring the pressure drop across filters, strainers, separators, valves, pumps, chillers, etc. and for local flow indication and control.

Specifications

Case Material	Corrosion resistant steel case and ring / 304 SS
Fill Fluid	Dry or silicon
Lens Material	Acrylic or glass
Dial	White aluminum with black lettering
Pointer	Black aluminum
Accuracy	± 3%-2%-3% ASME B40.1 Grade B
Tube & Socket	Bourdon tube 304 SS, Socket carbon steel / 316SS
Temperature Limits	-4°F — 140°F (-20°C to 60°C) ambient and medium
Sizes	2½", 4"



Differential pressure is sensed by the movement of a floating piston magnet against a calibrated spring. The gauge pointer, outside the pressure housing, follows the movement of the piston magnet and indicates differential pressure.

Available with magnetically actuated hermetically sealed CSA listed reed switches to provide high and low limit alarm or control.



An optional maximum indication follower pointer provides automatic indication of maximum differential occurring during a time period or system cycle.

Reversed pressure ports are available as an option when installing for readability depending on which side of a filter, etc.,

***Additional series are available.

Pressure Gauges

WGI Sprinkler Gauge



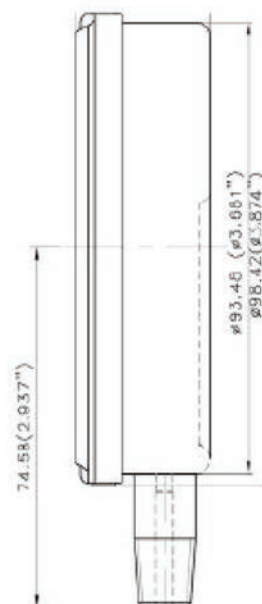
WGI's fire protection sprinkler gauges are UL listed and FM approved and are ideally suited for fire sprinkler systems.

Specifications

Case Material	Black plastic
Fill Fluid	None
Lens Material	Polycarbonate
Dial	White aluminum with black
Pointer	Black aluminum
Accuracy	3-2-3% ASME Grade B
Tube & Socket	Copper alloy / brass
Temperature Limits	-4°F — 140°F (-20°C to 60°C) ambient and medium
Pressure Ranges	0-300 PSI / kPa
Sizes	4"



Part Number	Range
Sprinkler-Water-300	0-300 PSI



Dimensions: mm / inch

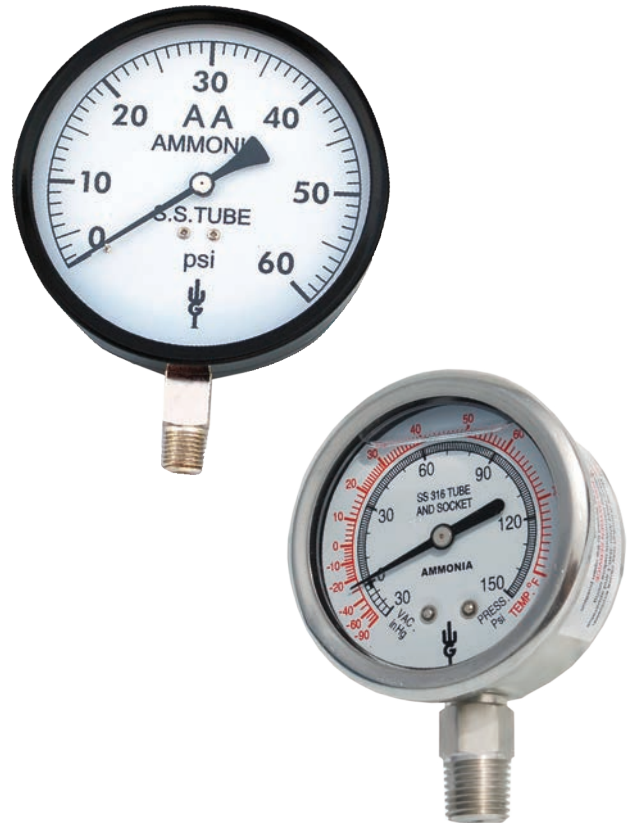
WGI Agricultural & Refrigeration Ammonia Pressure Gauge

CRN

The WGI agricultural ammonia pressure gauge is specifically designed to withstand all the punishment involved in manufacturing, distributing and applying ammonia as an agricultural fertilizer. Typical applications include bulk storage tanks, field tanks, processing equipment, metering devices and applicator equipment.

Specifications

Case Material	Corrosion resistant steel case and ring / 304 SS
Fill Fluid	Dry or silicone
Lens Material	Acrylic or glass
Dial	White aluminum with black lettering
Pointer	Black aluminum
Accuracy	± 3%-2%-3% ASME B40.1 Grade B
Tube & Socket	Bourdon tube 304 SS, Socket carbon steel / 316 SS
Temperature Limits	-40°F — 200°F 93° (-40°C — 93°C) ambient and medium
Sizes	2½", 4"



Front Flange Part Number	
2½" Dial	4" Dial
127751	127754

Pressure Range Cross Reference Charts

Series	Agriculture	
	1/4" NPT BTM	1/4" NPT BTM
	2½" Dial	4" Dial
0-60 PSI	WW0160	WW0260
0-150 PSI	WW0162	WW0262
0-400 PSI	WW0164	WW0264

Series	Refrigeration				
	1/4" NPT BTM	1/4" NPT CBU	1/4" NPT BTM	1/4" NPT LBU	1/2" NPT BTM
	2½" Dial	2½" Dial	4" Dial	4" Dial	4" Dial
30" Hg x 150 PSI / kPa	WJ7818PA	WJ7418PA	WH10718PA	WH10818PA	WH10918PA
30" Hg x 300 PSI / kPa	WJ7824PA	WJ7424PA	WH10724PA	WH10824PA	WH10924PA

Index: BTM = Bottom Mount | CBM = Center Back | CBU = Center Back U-Clamp | LBC = Lower Back Connector U-Clamp

Pressure Gauge Accessories

WGI Diaphragm/Chemical Seals

When choosing a diaphragm seal, WGI offers unsurpassed quality, service and delivery. WGI recommends the use of a diaphragm seal for all applications involving, but not limited to corrosive media, (media containing particles), viscous media, temperature issues and the use of oxidizing agents.

Specifications

Fill Fluid	Silicone, high temperature silicone, glycerin
Seal Type	DS90 - 8 Bolt, welded to upper body DSTB - All welded design DS-LPVC-PVC bolted
Lower Housing Materials	Optional steel, 304 SS, 316 SS, hastelloy B or C, monel, nickel, PVC, teflon, brass, titanium and polypropylene
Diaphragm Materials	316 SS, Special materials include 304 SS, monel, tantalum, hastelloy B and C, carpenter 20, nickel, titanium and teflon
Optional Features	316 SS top housing with SS rings, nuts and bolts. Pipe plugs for flushing connections. Flange faces - raised or flat face or ring joint
Capillary Lines	If your application requires a stainless steel capillary lines, specify one of the following and your desired length when ordering: <ul style="list-style-type: none"> • Plain tube 1/4" NPT • SS plain tube 1/2" NPT • SS armored 1/4" NPT • SS armored 1/2" NPT
Sizes	1/4", 1/2"



Cross Reference Chart

Part Number	Instrument Connection	Process Connection	Body Material	Diaphragm Material	Pressure Range
DS90-D-D	1/2" FNPT	1/2" FNPT	316 SS	316 SS	-30 Hg to 2,500 PSI
DSTB-B-B	1/4" FNPT	1/4" FNPT	316 SS	316 SS	-30 Hg to 2,500 PSI
DSTB-B-B	1/2" FNPT	1/2" FNPT	316 SS	316 SS	-30 Hg to 2,500 PSI
DS-LPVC11-T-0	1/4" FNPT	1/4" FNPT	PVC	PTFE	0-200 PSI

WGI White Teflon & Yellow ULC Gas Thread Seal Tape

WGI teflon tape is a rugged inert tape made from 100% pure, virgin PTFE. These tapes can be utilized anywhere there is a requirement for strength, thickness and resistance on threaded connections. It is highly resistant to acids, alkalis, solvents and gases and is clean and easy to use. It keeps its protective qualities indefinitely and adapts to galvanized iron, stainless steel, brass, plastic or fiberglass. It is approved under the Underwriters Laboratory of Canada and meets US Military specification MIL-T- 27730A.

Specifications

Thickness	<ul style="list-style-type: none"> • White Tape 0.076mm • Yellow Tape 0.10mm • Pink Tape 0.1mm
Conforms To	Military specification T-27730A
ULC Approved	Model GTT (yellow) CMH1677-ISS.#1C
Service Rating	-400°F — 500°F (-240°C — 260°C)
Pressure Rating	Yellow Gas Tape 2250 PSI

	Part Number	Length	Size
White	TT - 1/2	480"	1/2"
	TT - 3/4	480"	3/4"
	TT-1	480"	1"
Yellow	GTT - 1/2	480"	1/2"
	GTT - 3/4	480"	3/4"
	GTT - 1	480"	1"
Pink	PTT - 1/2	520"	1/2"
	PTT - 3/4	520"	3/4"
	PTT-1	520"	1"



Pressure Gauge Accessories

WGI Rubber Gauge Guards

WGI rubber gauge guards are used to protect pressure gauges from accidental physical damage. Made to fit a 2½" or 4" bottom or back mount pressure gauge.

Part Number	Color
PGG-2.5	Blue
PGG-2.5B	Black
PGG-40	Black



WGI General Purpose Pressure Snubbers

WGI pressure snubbers are designed for use in light oil, water and gas applications to significantly lessen the damaging effects of pulsation on pressure gauges, pressure transducers, transmitters, pressure switches and many other types of pressure instrumentation.

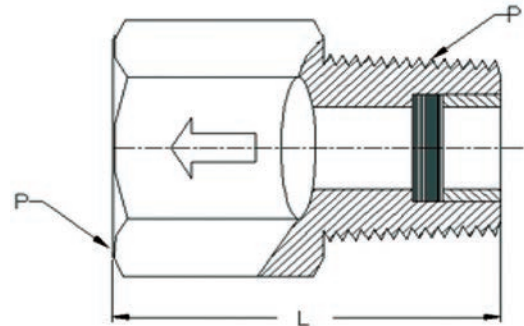
Specifications

Process Connection	1/4" NPT or 1/2" NPT male x female
Material	Brass or 316 SS
Pressure Rating	Brass 3,000 PSI 316 SS 20,000 PSI
Operating Temperature	Brass -65°F — 343°F (-53°C — 343°C) 316 SS -320°F — 1,500°F (-195°C — 815°C)



Cross Reference Chart

Part Number	Material	P	L
25B	Brass	1/4"	1.376"
A25S	316 SS	1/4"	1.376"
A50S	316 SS	1/2"	1.750"

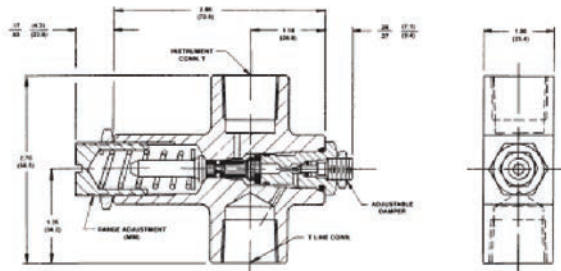
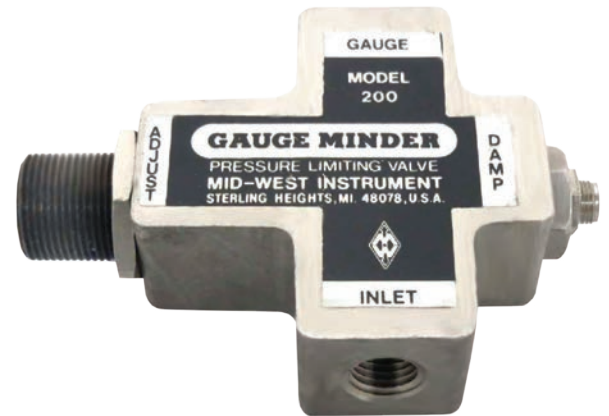


Mid-West Pressure Limiting Valve (Gauge Minder)

The model 200 gauge minder features a pressure limiting valve that blocks off excess pressure to the instrument, preventing calibration failure, internal damage, and blow-out from over-ranging (a principal cause of instrument failure). The model 200 is supplied with a set of range springs designed to set the shutoff pressure point at any pressure from 50 to 5,000 PSI. The automatic shutoff valve is positive on closing and is non-chattering. Once closed, pressure need only be reduced approximately 10% of set pressure to re-open the valve.

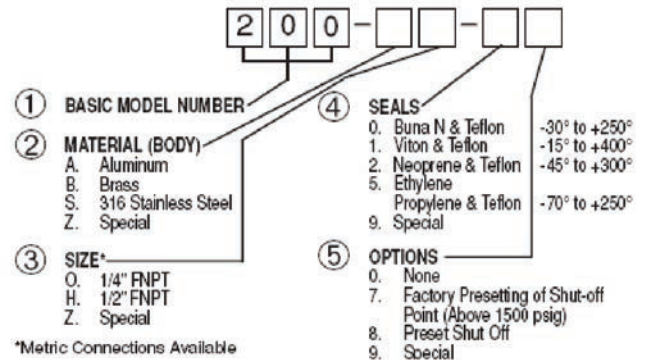
Specifications

Connection	1/4" or 1/2" NPT
Body & Stopper Material	Aluminum, brass and 316 SS
Seals	Buna, viton, teflon, neoprene or special materials
Adjustment	1/4" Allen head adjustment
Accuracy	± 10% of set value
Pressure Rating	Up to 10,000 PSI
Operating Temperature	-40°F —248°F (-40°C — 120°C)



NOTES: 1. Drawings show standard gauge nominal dimensions. (not to scale)
2. Dimensions shown in parentheses are in millimeters.

Part Numbering System



Range Springs by Colour

Spring Colour	Shut-Off Range, PSI
Silver	50 to 120 PSI
Black	100 to 1100 PSI
Gold	1000 to 5000 PSI

Cross Reference Chart

Part Number	Max. Working Pressure PSIG (kg/cm)	Body Material	T
200A0	5000 / 350	Aluminum	1/4" FNPT
200B0	5000 / 350	Brass	1/4" FNPT
200S0	5000 / 350	316 SS	1/4" FNPT
200BH	10000 / 700	Brass	1/2" FNPT
200SH	10000 / 700	316 SS	1/2" FNPT

Pressure Gauge Accessories

WGI Barrel & Pigtail Siphons

WGI barrel siphons are a cost effective way to maximize gauge life. WGI barrel siphons are made from solid bar to produce a rigid mount and easy installation. Barrel siphons are used to reduce the temperature of the medium before reaching the instrument.

WGI pigtail siphons are recommended for services involving temperatures above 60°C/140°F. On steam service, the siphon will prevent steam from entering a pressure gauge, diaphragm seal or transmitter. WGI pigtail siphons are available in carbon steel and 316 stainless steel.

Specifications

Material	Carbon or 304/316 SS
Pigtail Siphon Optional Materials	DS90 - 8 Bolt, welded to upper body Special materials include 304 SS, monel, tantalum, hastelloy B & C, carpenter 20, nickel and titanium DS-LPVC-PVC bolted
Pigtail Siphon Optional Styles	Single, double or triple loops
Pressure Ratings	<ul style="list-style-type: none"> • BS-1/2 3,000 PSI • BS-1/4 3,000 PSI • PS-1/4 2,000 PSI or 5,000 PSI • PS-1/2 2,000 PSI or 5,000 PSI
Temperature Rating	BS-1/2 700°F 3,000 PSI
Sizes	1/4", 1/2" NPT

Cross Reference Chart

Barrel Siphon		
Part Number	Size	Material
BS-1/4	1/4" NPT male x female	316 SS
BS-1/2	1/2" NPT male x female	316 SS

Pigtail Siphon		
Part Number	Size	Material
PS-1/4	1/4" MNPT	Carbon Steel
PS-1/2	1/2" MNPT	Carbon Steel
PSS-1/4	1/4" MNPT	316 SS
PSS-1/2	1/2" MNPT	316 SS

Cooling Tower		
Part Number	Size	Material
CT-1/2	1/2" NPT	316 SS



WGI Master-Temp 200/300 Bimetal Thermometers

WGI bimetal thermometers are rugged and are preferred by the process, offshore, pharmaceutical, power and chemical industries. Liquid filling is available for additional dampening, extreme vibration, or to ensure consistent performance in low temperature or high humidity applications.

Specifications

Case Material	303 SS
Pointer	Black aluminum
Lens Material	Glass
Dial	White aluminum with black lettering
Stem	1/4" O.D. 304 SS 2½"–36"
Accuracy	± 1% full scale
Connection	1/4", 1/2" NPT Center back mount or 1/2" adjustable angle
External Reset	Stainless steel hex located on rear of case
Sizes	2", 3"



Temperature Range Cross Reference Chart

Series	Master-Temp 200 (2" Dial)							
	Connection	1/4" NPT Center Back Mount				1/2" NPT Center Back Mount		
		Stem Length	2½"	4"	6"	9"	2½"	4"
-40°F — 160°F (-40°C — 70°C)		WL11102	WL11202	WL11302	N/S	N/S	WL21202	WL21302
0°F — 250°F (-20°C — 120°C)		WL11105	WL11205	WL11305	N/S	N/S	N/S	WL21305
50°F — 500°F (10°C — 260°C)		WL11108	WL11208	WL11308	N/S	N/S	WL21208	N/S

Series	Master-Temp 300 (3" Dial)							
	Connection	1/2" NPT Center Back Mount						
		Stem Length	2½"	4"	6"	9"	12"	15"
-40°F — 160°F (-40°C — 70°C)		WL31102	WL31202	WL31302	WL31402	WL31502	WL31602	WL31702
0°F — 250°F (-20°C — 120°C)		WL31105	WL31205	WL31305	WL31405	WL31505	WL31605	WL31705
50°F — 300°F (10°C — 150°C)		WL31106	WL31206	WL31306	WL31406	WL31506	WL31606	WL31706
50°F — 500°F (10°C — 260°C)		WL31108	WL31208	WL31308	WL31408	WL31508	WL31608	WL31708
150° — 750°F (50°C — 400°C)		WL31110	WL31210	WL31310	WL31410	WL31510	WL31610	WL31710
200° — 1,000°F (100° — 550°C)		WL31111	WL31211	WL31311	WL31411	WL31511	WL31611	WL31711

Series	Master-Temp 300 (3" Dial)							
	Connection	1/2" NPT Center Back Mount Adjustable Angle						
		Stem Length	2½"	4"	6"	9"	12"	15"
-40°F — 160°F (-40°C — 70°C)		WL33102	WL33202	WL33302	WL33402	WL33502	WL33602	WL33702
0°F — 250°F (-20°C — 120°C)		WL33105	WL33205	WL33305	WL33405	WL33505	WL33605	WL33705
50°F — 300°F (10°C — 150°C)		WL33106	WL33206	WL33306	WL33406	WL33506	WL33606	WL33706
50°F — 500°F (10°C — 260°C)		WL33108	WL33208	WL33308	WL33408	WL33508	WL33608	WL33708
150°F — 750°F (50°C — 400°C)		WL33110	WL33210	WL33310	WL33410	WL33510	WL33610	WL33710
200°F — 1,000°F (100°C — 550°C)		WL33111	WL33211	WL33311	WL33411	WL33511	WL33611	WL33711

Temperature Gauges

WGI Master-Temp 500 Bimetal Thermometers

WGI bimetal thermometers are rugged and are preferred by the process, offshore, pharmaceutical, power and chemical industries. Liquid filling is available for additional dampening, extreme vibration, or to ensure consistent performance in low temperature or high humidity applications.

Specifications

Case Material	303 SS
Pointer	Black aluminum
Lens Material	Glass
Dial	White aluminum with black lettering
Stem	1/4" O.D. 304 SS 2 1/2" –36"
Accuracy	± 1% full scale
Connection	1/2" NPT Center back mount or 1/2" adjustable angle
External Reset	Stainless steel hex located on rear of case
Sizes	5"

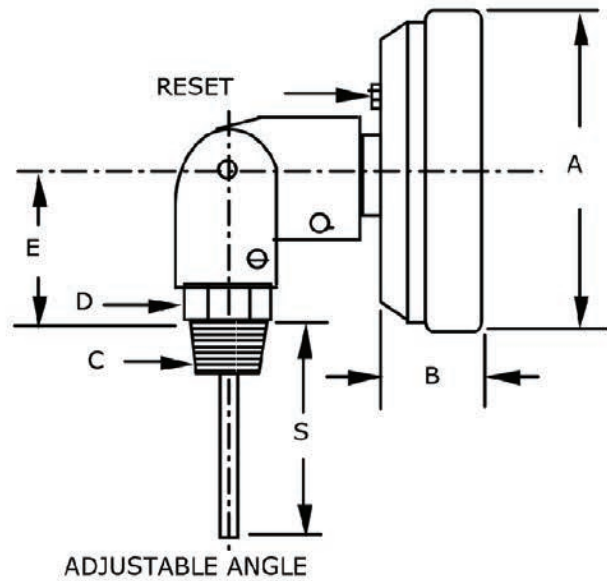
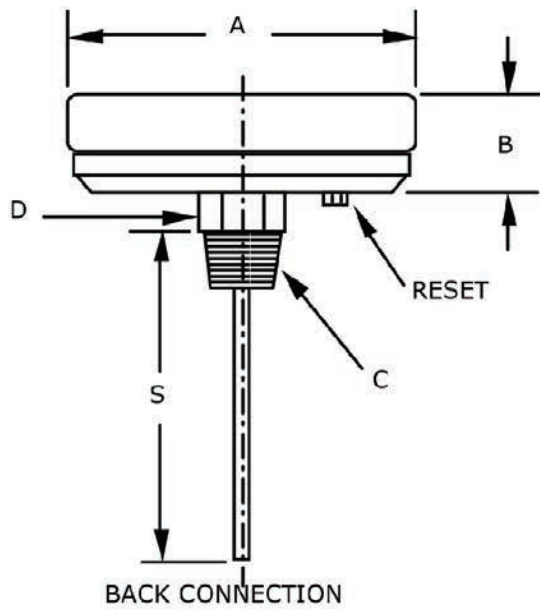


Temperature Range Cross Reference Chart

Series	Master-Temp 500 (5" Dial)						
Connection	1/2" NPT Center Back Mount						
Stem Length	2 1/2"	4"	6"	9"	12"	15"	18"
-40°F — 160°F (-40°C — 70°C)	WL51102	WL51202	WL51302	WL51402	WL51502	WL51602	WL51702
0°F — 250°F (-20°C — 120°C)	WL51105	WL51205	WL51305	WL51405	WL51505	WL51605	WL51705
50°F — 300°F (10°C — 150°C)	WL51106	WL51206	WL51306	WL51406	WL51506	WL51606	WL51706
50°F — 500°F (10°C — 260°C)	WL51108	WL51208	WL51308	WL51408	WL51508	WL51608	WL51708
150°F — 750°F (50°C — 400°C)	WL51110	WL51210	WL51310	WL51410	WL51510	WL51610	WL51710
200°F — 1,000°F (100°C — 550°C)	WL51111	WL51211	WL51311	WL51411	WL51511	WL51611	WL51711

Series	Master-Temp 500 (5" Dial)						
Connection	1/2" NPT Center Back Mount Adjustable Angle						
Stem Length	2 1/2"	4"	6"	9"	12"	15"	18"
-40°F — 160°F (-40°C — 70°C)	WL53102	WL53202	WL53302	WL53402	WL53502	WL53602	WL53702
0°F — 250°F (-20°C — 120°C)	WL53105	WL53205	WL53305	WL53405	WL53505	WL53605	WL53705
50°F — 300°F (10°C — 150°C)	WL53106	WL53206	WL53306	WL53406	WL53506	WL53606	WL53706
50°F — 500°F (10°C — 260°C)	WL53108	WL53208	WL53308	WL53408	WL53508	WL53608	WL53708
150°F — 750°F (50°C — 400°C)	WL53110	WL53210	WL53310	WL53410	WL53510	WL53610	WL53710
200°F — 1,000°F (100°C — 550°C)	WL53111	WL53211	WL53311	WL53411	WL53511	WL53611	WL53711

WGI Master-Temp Bimetal Thermometers



Temperature Range Cross Reference Chart

Ranges	Major Divisions		Minor Divisions	
	°F	°C	°F	°C
-40°F — 160°F (-40°C — 70°C)	10	10	2	2
0°F — 250°F (-20°C — 120°C)	10	10	2	2
50°F — 300°F (10°C — 150°C)	10	10	2	2
50°F — 500°F (10°C — 260°C)	25	10	5	5
150°F — 750°F (50°C — 400°C)	50	10	10	5
200°F — 1,000°F (100°C — 550°C)	50	10	10	5

Cross Reference Chart

Part Number	Dial Size	A	B	C
WL11000	2"	2.13"	0.425"	1/4" NPT
WL21000	2"	2.13"	0.425"	1/2" NPT
WL31000	3"	3.27"	0.835"	1/2" NPT
WL33000	3"	3.27"	0.835"	1/2" NPT
WL51000	5"	5.26"	0.910"	1/2" NPT
WL53000	5"	5.26"	0.910"	1/2" NPT

Temperature Gauges

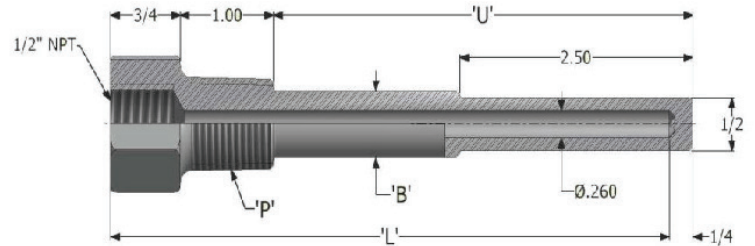
WGI Thermowells

CRN

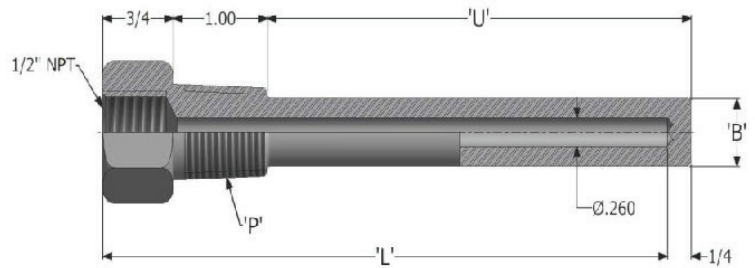
This device is used to protect a thermometer / thermocouple / RTD from any pressure or corrosion from the process and allows replacement of the instrument without shutting down the system.



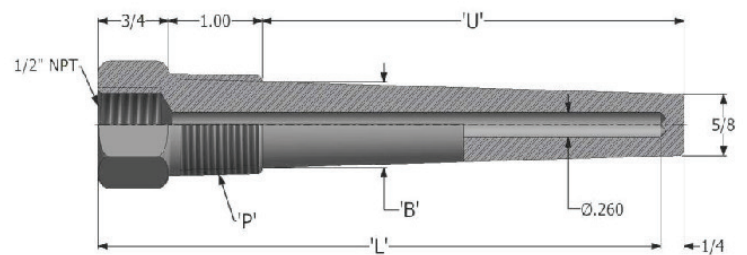
Stepped Thermowell



Straight Thermowell



Tapered Thermowell



Specifications

Standard Bore Sizes	0.260", 0.385" and 0.702"
Process Connections	NPT threaded or flanged (RF, FF and RTJ)
Standard Materials	316 SS
Optional Materials	Brass or naval brass, aluminum, carbon steel, chrome-moly, 304 SS, 316L alloy-20, inconel, monel, nickel, titanium, hastelloy B or C and teflon
Optional	Lagging extensions, stainless steel plug and chain, full penetration weld on flange, teflon or kynar coating, MTR test reports and hydrostatic internal testing
Available Stem Lengths	2 1/2" — 36"
Process Connections	1/2", 3/4" and 1" threaded NPT, 150#, 300# and 600# flanged 900# RTJ and 150# RTJ

All rights reserved. All valves information and its contents hereof are proprietary to WGI. Any unauthorized reproduction or disclosure, in whole or in part is strictly prohibited. All valves materials, images and data sheets in this catalogue / brochure is for general information and shall not be used for specific performance data and material selection without first consulting with WGI. WGI reserves the right to change the enclosed valves information without notice. WGI does not accept any liability or damages arising from the use of any valve information within this document. All trademarks and registered trademarks are owned by their respective companies.

WGI Thermowells (Continued)

Cross Reference Chart

½" Male NPT Connection					
Process Connection	Part Number	Stem Length "L"	Insertion "U"	Bore Size	Overall Length
½" Male NPT	1/2-025-316	2 ½"	1 3/8"	0.260	2 ¾"
	1/2-040-316	4"	2 ½"	0.260	4 ¼"
	1/2-060-316	6"	4 ½"	0.260	6 ¼"
	1/2-090-316	9"	7 ½"	0.260	9 ¼"

¾" Male NPT Connection					
Process Connection	Part Number	Stem Length "L"	Insertion "U"	Bore Size	Overall Length
¾" Male NPT	3/4-025-316	2 ½"	1 3/8"	0.260	2 ¾"
	3/4-025-316-385	2 ½"	1 3/8"	0.385	2 ¾"
	3/4-025-316-702	2 ½"	1 3/8"	0.702	2 ¾"
	3/4-035-316-702	2 ½"	2"	0.702	2 ¾"
	3/4-040-316	4"	2 ½"	0.260	4 ¼"
	3/4-040-316-385	4"	2 ½"	0.385	4 ¼"
	3/4-040-316-702	4"	2 ½"	0.702	4 ¼"
	3/4-045-316-702	4 ¼"	3"	0.702	4 1/2"
	3/4-050-316-702	5"	3 ½"	0.702	5 ¼"
	3/4-060-316	6"	4 ½"	0.260	6 ¼"
	3/4-060-316-385	6"	4 ½"	0.385	6 ¼"
	3/4-060-316-702	6"	4 ½"	0.702	6 ¼"
	3/4-090-316	9"	7 ½"	0.260	9 ¼"
	3/4-120-316	12"	10 ½"	0.260	12 ¼"

1" Male NPT Connection					
Process Connection	Part Number	Stem Length "L"	Insertion "U"	Bore Size	Overall Length
1" Male NPT	1-025-316	2 ½"	1 3/8"	0.260	2 ¾"
	1-025-316-702	2 ½"	1 3/8"	0.702	2 ¾"
	1-035-316-702	2 ½"	2"	0.702	2 ¾"
	1-045-316-702	4 ¼"	3"	0.702	4 ¼"
	1-040-316	4"	2 ½"	0.260	4 ¼"
	1-060-316	6"	4 ½"	0.260	6 ¼"
	1-090-316	9"	7 ½"	0.260	9 ¼"
	1-120-316	12"	10 ½"	0.260	12 ¼"

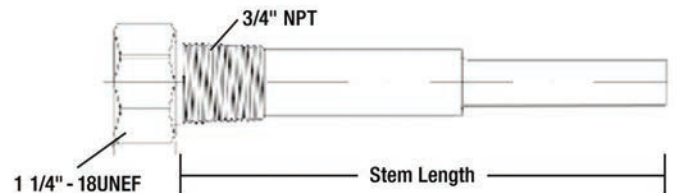
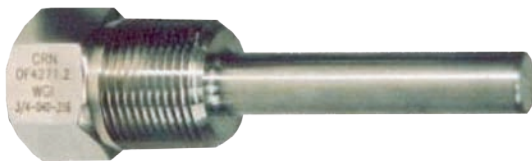
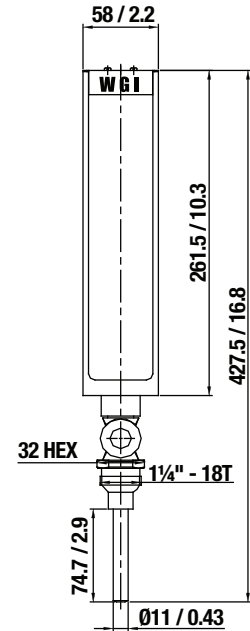
Temperature Gauges

WGI 9" (229mm) Industrial Thermometer

WGI 9" (229mm) adjustable angle thermometer is mainly used for HVAC applications. Our standard case is a durable cast aluminum case powder coated dark blue and contains a safe red alcohol fill for easy viewing.

Specifications

Case Material	Die-cast blue V-shaped aluminum
Dial	White aluminum black lettering
Fill Fluid	Red reading alcohol for ranges up to 240°F/C, ranges above 240° F/C contain mercury as alcohol cannot exceed 300°F/C
Accuracy	± 1% full scale
Stem Length	3½" stem standard, optional 6½"
Connection	1¼" UNF brass jam nut
Window	Acrylic



Industrial Thermometer Cross Reference Chart

Part Number	Ranges	Stem Lengths
WAA3301	-40° — 110°F/C	3½"
WAA3303	0° — 120°F/C	3½"
WAA3304	0° — 180°F/C	3½"
WAA3305	30° — 240°F/C	3½"
WAA3308	50° — 550°F/C	3½"
WAA3601	-40° — 110°F/C	6"
WAA3603	0° — 120°F/C	6½"
WAA3604	0° — 180°F/C	6"
WAA3605	30° — 240°F/C	6"
WAA3608	50° — 550°F/C	6"

Thermowell - 1¼ " (18 UNF)

Part Number	Material	Stem Lengths
T1E3D2	Brass	3½"
T6E3D2	Stainless Steel	3½"
T1E6D2	Brass	6"
T6E6D2	Stainless Steel	6"

Note: Thermowell sold separately.

WGI 7" (177mm) Adjustable Angle Thermometer

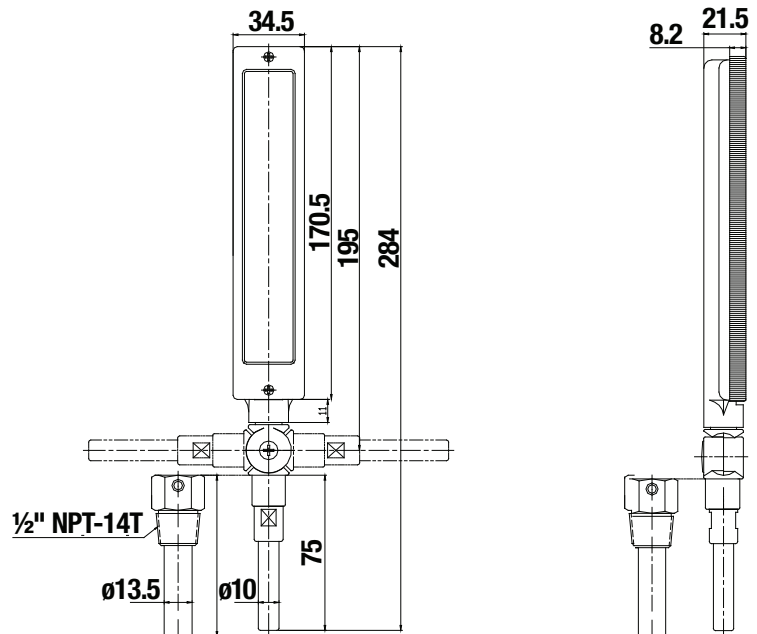
WGI 7" (177mm) adjustable angle thermometer is mainly used in the HVAC industry but can also be used in many other industries. With an adjustable aluminum case and a standard 1/2" NPT brass thermowell, there are many applications for this thermometer. It also contains a red reading alcohol fill for easy viewing.

Specifications

Case Material	Die-cast aluminum
Dial	White aluminum black lettering
Fill Fluid	Red reading alcohol
Accuracy	± 1% full scale
Pointer	Black aluminum
Stem Length	2½" stem standard
Process Connection	Thermowell - 1/2" MNPT / C/W ½ NPT brass well
Window	Glass

Cross Reference Chart

Part Number	Range
WAA2302	-40°F / 110°C
WAA2305	30°F / 240°C



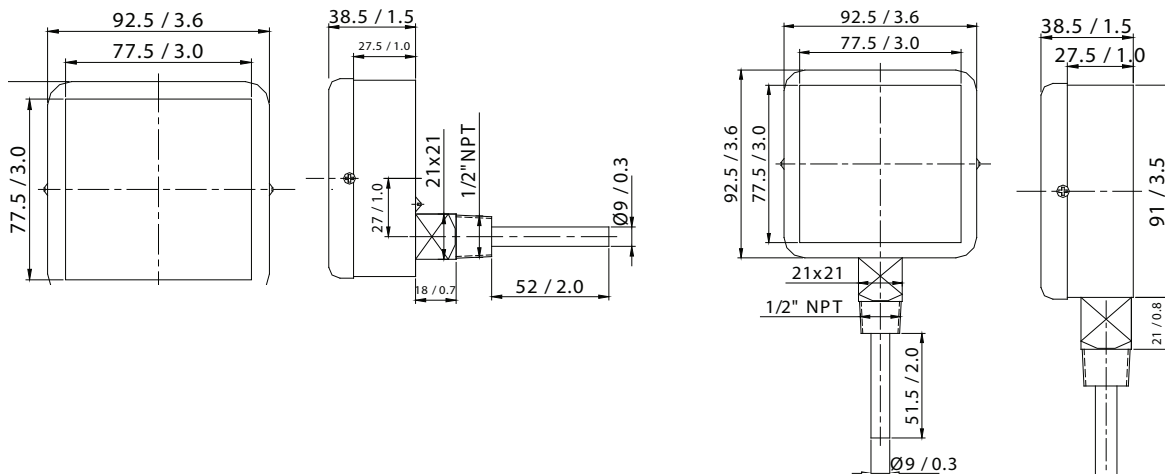
Temperature Gauges

WGI Tridicators (Pressure/Temperature/Altitude)

WGI tridicators indicate pressure, temperature and altitude in one compact instrument. WGI tridicators are intended for use on all types of hot water heating systems.

Specifications

Case Material	Drawn steel
Tube & Socket	Bronze tube, brass socket
Pointer	Black and red aluminum
Dial	White aluminum with black lettering
Accuracy	± 1% full scale
Connection	1/2" NPT
Window	Glass
Dial Size	3 1/2"
Dial Scale	Triple scale PSI, feet of water and degrees Celsius and Fahrenheit



Cross Reference Chart

2 1/2" Stem			
Part Number	Connection	Temp Range	Pressure Range
Y22002	Bottom	30° — 260° F/C	0-60 PSI / kPa
Y22004	Bottom	30° — 260° F/C	0-100 PSI / kPa
Y22006	Lower Back	30° — 260° F/C	0-60 PSI / kPa
Y22008	Lower Back	30° — 260° F/C	0-100 PSI / kPa

6" Stem			
Part Number	Connection	Temp Range	Pressure Range
Y26002	Bottom	30° — 260° F/C	0-60 PSI / kPa
Y26006	Lower Back	30° — 260° F/C	0-60 PSI / kPa

WGI Tridicators (Pressure/Temperature/Altitude)

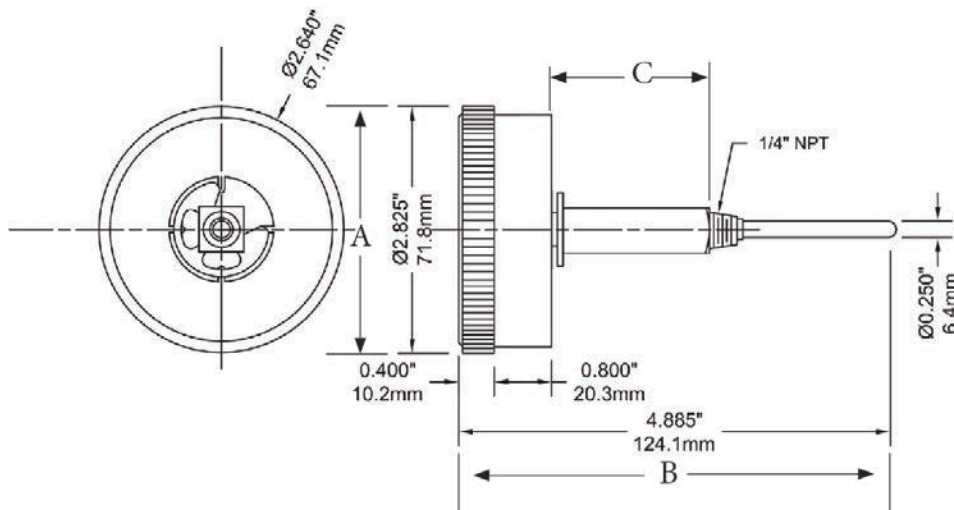
WGI tridicators measure both pressure and temperature all in one instrument. They typically are used in HVAC or boiler applications.

Specifications

Case Material	Steel, black powder coated
Tube & Socket Stem	Bronze tube and brass socket
Pointer	Black powder coated aluminum
Dial	White Background with black lettering
Lens	Clear plastic
Dial Size	2½" dial
Range	Pressure: 0 - 100 PSI / kPa Temperature: 60o — 260o F/C
Accuracy	3-2-3% Pressure + or - 1° C temperature
Connection	¼" male NPT, ¼" O.D. stem

Cross Reference Chart

Part Number	A	B	C
TRI-100	2.77	4.158	0.31
TRI-200	2.77	4.842	1.25
TRI-300	2.77	5.722	2.5



Dimensions: mm / inch

Temperature Gauges

WGI Tridicators (Pressure/Temperature/Altitude)

WGI tridicators measure both pressure and temperature all in one instrument. They typically are used in HVAC or boiler applications.

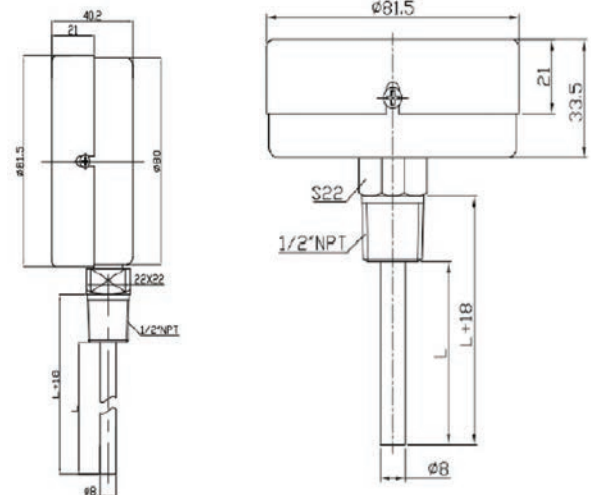
Specifications

Case Material	Steel, black powder coated
Tube & Socket Stem	Bronze tube and brass socket
Pointer	Black powder coated aluminum
Dial	White Background with black lettering
Lens	Clear plastic
Dial Size	3" dial
Range	Pressure: 0 - 200 PSI / kPa Temperature: 70° — 320° F/C
Accuracy	3-2-3% Pressure + or - 1° C temperature
Connection	1/2" male N.P.T., 1/4" O.D. stem

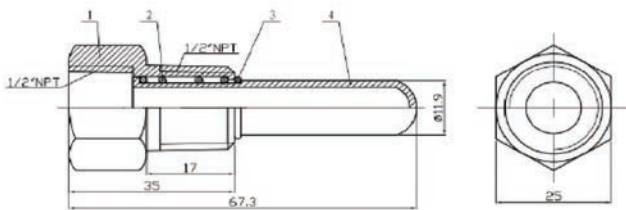


Cross Reference Chart

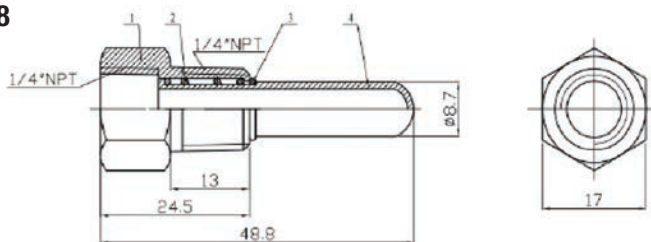
2 1/2" Stem			
Part Number	Connection	Temp Range	Pressure Range
Y32003	Bottom	70° — 320° F/C	0-75 PSI / kPa
Y32004	Bottom	70° — 320° F/C	0-100 PSI / kPa
Y32006	Bottom	70° — 320° F/C	0-200 PSI / kPa
Y34003	Back	70° — 320° F/C	0-75 PSI / kPa
Y34004	Back	70° — 320° F/C	0-100 PSI / kPa
Y34006	Back	70° — 320° F/C	0-200 PSI / kPa



TY4



TY8



WGI Pocket Test Thermometers

9841 Digital Pocket Thermometer

Specifications

Range	-40°F — 500°F (-40°C — 260°C)
Stem	5" Pointed stainless steel
Dial Size	LCD Readout 0.3"
Accuracy	± 2°F or 1°C

Cross Reference Chart

Part Number	Temperature Range
9841	-40° — 500° F/C



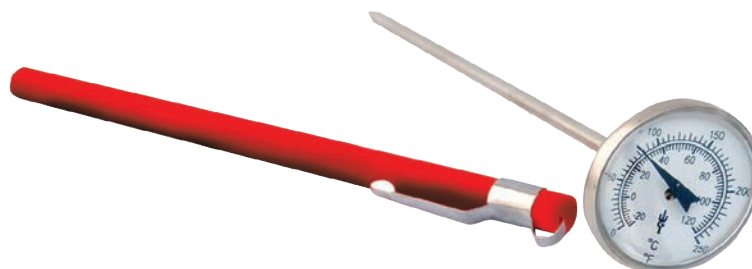
General Purpose Pocket Thermometer / Bi-Metal Pocket Test Thermometer

Specifications

Dial Size	1-3/8" Dial
Stem	5" Pointed stainless steel
Recalibration	External recalibration screw on rear of case
Accuracy	± 2% Full Scale
Lens	Clear acrylic

Cross Reference Chart

Part Number	Temperature Range
PT1835-160FC	-40° — 160° F/C
PT1835-250FC	0° — 250° F/C
PT1835-500FC	50° — 500° F/C



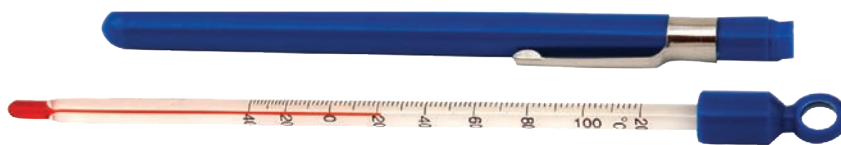
Glass Alcohol Pocket Thermometer / GT-120 Pocket Test Thermometer

Specifications

Range	-58°F — 302°F (-50°C — 150°C)
Stem	Glass
Scale Size	5" Scale
Accuracy	± 2°F or 1°C

Cross Reference Chart

Part Number	Temperature Range
GT-120	-40°C — 120°C



Temperature Gauges

WGI Hot Water Heating Thermometer (Dial)

WGI hot water thermometers are typically used in hot water heating systems, boilers and hydronic heating systems, etc. Each thermometer comes standard with a removable brass thermowell for maintaining a sealed system coupled with a rear recalibration screw.

Specifications

Case	Polished aluminum
Range	30° — 250° F/C
Connection	Comes with 1/2" NPT brass thermowell
Dial Size	2½"
Accuracy	± 2°F or 1°C



Cross Reference Chart

Part Number	Temperature Range
HWT2.5/250	30° — 250° F/C
HWT-SOLDER	T/well, solder type to fit the Hwt series thermometers

WGI Hot Water Heating Thermometer (Scale)

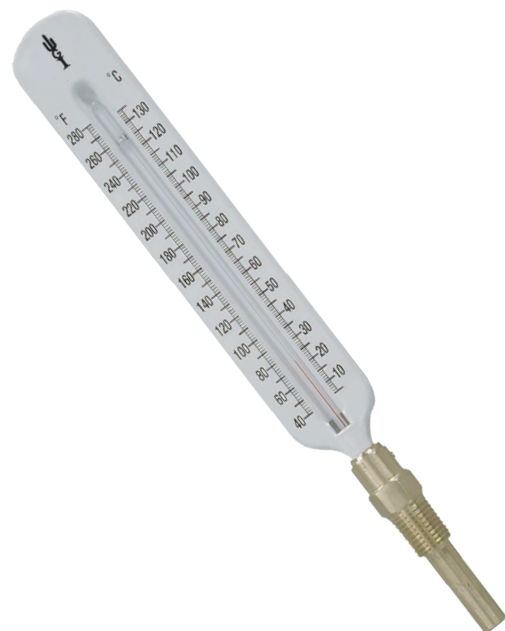
WGI hot water thermometers are typically used in hot water heating systems, boilers and hydronic heating systems, etc. Each thermometer comes standard with a removable brass thermowell for maintaining a sealed system.

Specifications

Case	Scale with steel case
Range	40°F — 280°F (5°C — 135°C)
Tube	Glass
Dial Size	8"
Accuracy	± 1°C/°F

Cross Reference Chart

Part Number	Pattern	Temperature Range
HWT8-A	Angled	30° — 250° F/C
HWT8-S	Straight	40° — 280° F/C



WGI Magnetic Surface Thermometer

WGI bimetal magnetic surface thermometers incorporate a standard rear calibration adjustment and are ideal for use on engines, bearings, pipes, tanks, ovens, dies, molds or any flat metallic surface.

Specifications

Case	Black aluminum
Lens	Clear acrylic
Mounting	Two magnets on rear of case
Dial Size	2"
Accuracy	± 2% full scale

Cross Reference Chart

Part Number	Temperature Range
311FC	-100° — 160° F/C
312FC	0° — 250° F/C
313FC	50° — 500° F/C



WGI Clamp-on Thermometer

WGI bimetallic clamp on thermometers are used to provide surface temperature on 1/2" to 4" pipes using a clamp-on design with steel spring. Ideal for HVAC, waste water and other industrial process applications.

Specifications

Case	Black aluminum
Lens	Plexi glass
Mounting	Steel spring
Dial Size	2 1/2"
Accuracy	± 3% full scale

Cross Reference Chart

Part Number	Temperature Range
SBT-2	30° — 250° F/C



Temperature Gauges

Taylor 1441E Digital Min/Max Thermometer

TAYLOR

This thermometer is designed to read the temperature from two different probes on 9'9" (3 Meter) cables. It records the minimum and maximum temperatures for the current 24 hour period and for six previous periods. The advanced microprocessor circuit allows the thermometer to collect temperature data while the display is turned off. This saves battery life and only operates the LCD display during the time it is needed to read the temperature and recall any min/max data.

Specifications

Case	Plastic
Range	20°F — 120°F (-29°C — 50°C)
Display	LCD
Accuracy	± 1.8°F or 1°C

Cross Reference Chart

Part Number	Temperature Range
1441E	20°F — 120°F



Taylor Infrared Thermometer

The ideal introduction to non-contact thermometers for technicians new to infrared. This unit features the popular single dot laser sighting system and the large temperature display provides current and maximum readings together while scanning, all in a conveniently sized hand-held tool with a protective boot for added durability.

Specifications

Sighting	Laser sight
Scales	Switchable degrees F or C
Emissivity	Preset at 0.95
Ratio	6 : 1
Temperature Range	-49°F / 752°F (-45°C / 400°C)
Accuracy	± 1.5% of reading or ± 2°C

Cross Reference Chart

Part Number	Description
9523	Laser sight, comes with soft carry case



All rights reserved. All valves information and its contents hereof are proprietary to WGI. Any unauthorized reproduction or disclosure, in whole or in part is strictly prohibited. All valves materials, images and data sheets in this catalogue / brochure is for general information and shall not be used for specific performance data and material selection without first consulting with WGI. WGI reserves the right to change the enclosed valves information without notice. WGI does not accept any liability or damages arising from the use of any valve information within this document. All trademarks and registered trademarks are owned by their respective companies.



JMS Southeast Thermocouple & RTD's

JMS Southeast - Provides quality temperature measurement products that are NIST certified and traceable to ITS 90 and IPTS-68. Products include; miniature and industrial thermocouples, bayonet and plastic melt sensors, resistance temperature devices (RTD's), thermowells, protection tubes and coatings, thermocouple and RTD wire, transmitters, thermistors and specialty sensors designed to fit your needs.

Specifications

Base Metal Types	Type J, K, T, E and N
Noble Metal Types	Type R, S and B
Element Options	Standard and special limits of error, grounded, ungrounded or exposed junctions, single and multiple element construction, standard and high purity mgo insulation
Lead Termination Options	Plugs, jacks, spade lugs and special connectors
Sheath Materials	304/310/316/446 SS, Inconel 600, Microbell and H-2300
Sheath Diameters	1/16", 1/8", 3/16", 1/4" or 3/8"
Connection Heads	General purpose and explosion proof



WGI 201 Carbon Steel Ball Valves

CRN

WGI ball valves combine quality performance at an affordable price. Each valve carries approvals that will cover most valve applications. These valves are used in different industries for a variety of applications.

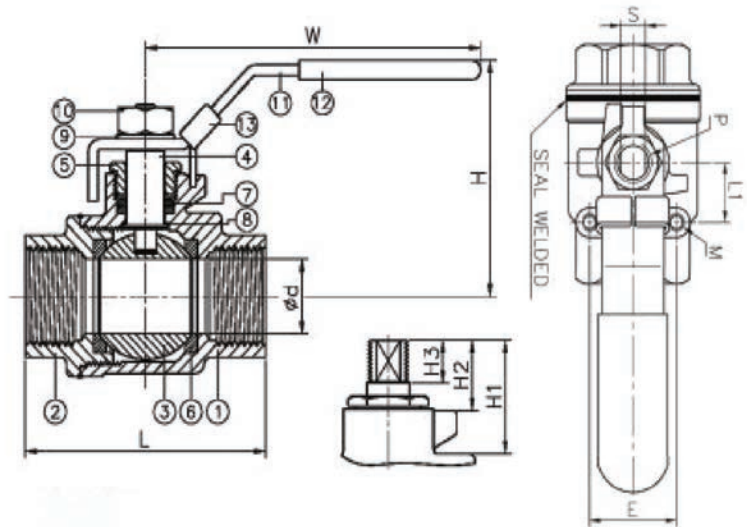
Specifications

Pressure Rating	1/4" — 2" 2,000 PSI
Porting	Full port
Temperature Rating	-40°F — 392°F (-40°C — 200°C)
Body Material	ASTM A216-WCB
Approvals	NACE MR-0175, CRN * Seal Weld Ends
Features	Blowing-Out Proof Stem, Locking Handle, Tapped and Drilled Mounting Pad



Material

Item	Parts	Material
1	Body	ASTM A216 - WCB
2	Cap	ASTM A216 - WCB
3	Ball	ASTM A351-CF8M
4	Stem	ASTM A276-316
5	Gland Nut	AISI 304
6	Seat	PTFE / RTFE
7	Seal	PTFE
8	Packing	PTFE / RTFE
9	Thrust Washer	PTFE
10	Spring Washer	AISI 304
11	Nut	AISI 304
12	Handle	Stainless Steel
13	Handle Sleeve	PVC
14	Locking Device	AISI 304



Dimensions

NPS	D	L	L1	H	W	H1	H2	H3	S	M	E	T	Weight (lb)
1/4"	0.46	2.38	0.55	1.97	4.02	0.91	0.63	0.41	0.20	M5	1.10	5/16" W	0.6
3/8"	0.51	2.38	0.55	1.97	4.02	0.91	0.63	0.41	0.20	M5	1.10	5/16" W	0.6
1/2"	0.59	2.52	0.55	1.97	4.02	0.91	0.67	0.41	0.20	M5	1.10	5/16" W	0.7
3/4"	0.79	3.03	0.87	2.44	4.72	1.14	0.87	0.53	0.26	M5	1.38	3/8" W	1.2
1"	0.98	3.54	0.87	2.97	6.26	1.34	0.94	0.61	0.31	M5	1.38	7/16" W	1.9
1 1/4"	1.26	3.94	0.94	3.19	6.26	1.34	0.97	0.61	0.31	M5	1.54	7/16" W	2.8
1 1/2"	1.50	4.65	0.94	3.86	7.40	1.54	1.02	0.69	0.35	M5	1.5	1/2" W	4.4
2"	1.97	5.43	0.94	4.25	7.40	1.54	1.02	0.69	0.35	M5	1.5	1/2" W	6.9

Thread Type: ASME B1.20.1 (NPT) | Dimensions: inch

WGI 301 CSA/CGA Stainless Steel Ball Valves

CRN

WGI ball valves combine quality performance at an affordable price. Each valve carries approvals that will cover most valve applications. These valves are used in different industries for a variety of applications.

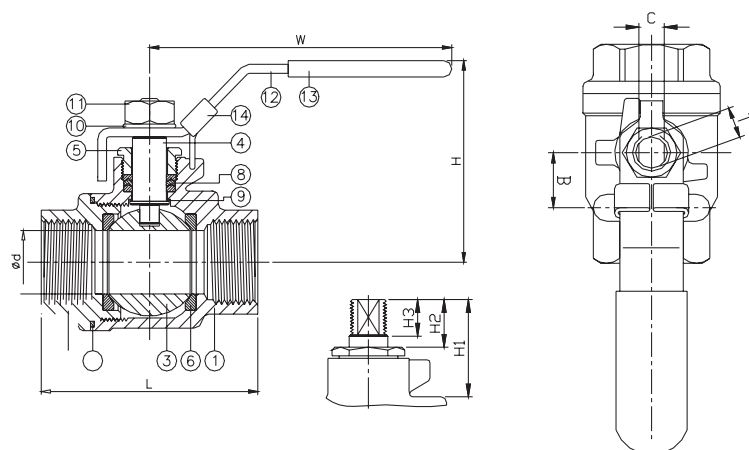
Specifications

Pressure Rating	1/4" — 1": 2,000 PSI, 1 1/4" — 2": 1,500 PSI
Porting	Full port
Temperature Rating	-40°F — 392°F (-40°C — 200°C)
Body Material	ASTM A351-CF8M
Approvals	NACE, CSA/CGA3.16 CRN
Features	Blowing-Out Proof Stem, Locking Handle, Tapped and Drilled Mounting Pad



Material

Item	Parts	Material
1	Body	ASTM A351-CF8M
2	Cap	ASTM A351-CF8M
3	Ball	ASTM A351-CF8M
4	Stem	ASTM A276-316
5	Gland Nut	AISI 304
6	Seat	PTFE / RTFE
7	Seal	PTFE
8	Packing	PTFE / RTFE
9	Thrust Washer	PTFE
10	Spring Washer	AISI 304
11	Nut	AISI 304
12	Handle	AISI 304
13	Handle Sleeve	PVC
14	Locking Device	AISI 304



Dimensions

NPS	D	L	L1	H	H1	H2	H3	W	S	E	M	T	Weight (lb)
1/4"	0.46	2.38	0.55	1.97	0.91	0.63	0.41	4.02	0.20	1.10	M5	5/16" W	0.60
3/8"	0.51	2.38	0.55	1.97	0.91	0.63	0.41	4.02	0.20	1.10	M5	5/16" W	0.60
1/2"	0.59	2.52	0.55	1.97	0.91	0.67	0.41	4.02	0.20	1.10	M5	5/16" W	0.70
3/4"	0.79	3.03	0.87	2.44	1.14	0.87	0.53	4.72	0.26	1.38	M5	3/8" W	1.20
1"	0.98	3.54	0.87	2.97	1.34	0.94	0.61	6.26	0.31	1.38	M5	7/16" W	1.90
1 1/4"	1.26	3.94	0.94	3.19	1.34	0.87	0.61	6.26	0.31	1.54	M5	7/16" W	2.80
1 1/2"	1.50	4.65	0.94	3.86	1.54	1.02	0.69	7.40	0.35	1.50	M5	1/2" W	4.40
2"	1.97	5.43	0.94	4.25	1.54	1.02	0.69	7.40	0.35	1.50	M5	1/2" W	6.90
2 1/2"	2.56	6.56	1.38	5.35	2.28	1.65	1.20	9.65	0.47	2.17	M5	3/4" W	13.20
3"	3.15	7.60	1.38	5.79	2.28	1.57	1.20	9.65	0.47	2.17	M5	3/4" W	22.30
4"	3.94	10.24	1.97	7.20	3.31	2.28	1.65	12.60	0.63	2.36	M5	1" W	-

Thread Type: ASME B1.20.1 (NPT) | Dimensions: inch

WGI 401 Stainless Steel Ball Valves Seal Weld

CRN

WGI 401 series stainless steel ball valves carry 2,000 PSI rating for the larger sizes and have a seal welded body. This ensures that the body of the valve is sealed and will not leak after installation.

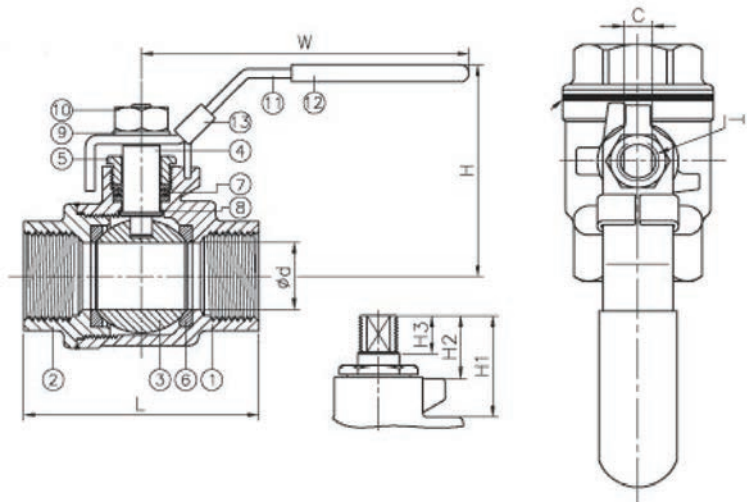
Specifications

Pressure Rating	1/4" — 2" 2,000 PSI
Porting	Full port
Temperature Rating	-40°F — 392°F (-40°C — 200°C)
Body Material	ASTM A351-CF8M
Approvals	NACE MR-0175, CRN * Seal Weld Ends
Features	Blowing-Out Proof Stem, Locking Handle, Tapped and Drilled Mounting Pad



Material

Item	Parts	Material
1	Body	ASTM A351-CF8M
2	Cap	ASTM A351-CF8M
3	Ball	ASTM A351-CF8M
4	Stem	ASTM A276-316
5	Gland Nut	AISI 304
6	Seat	PTFE / RTFE
7	Packing	Graphite
8	Thrust Washer	CTFE
9	Spring Washer	AISI 304
10	Nut	AISI 304
11	Handle	Stainless Steel
12	Handle Sleeve	PVC
13	Locking Device	AISI 304



Dimensions

NPS	d	L	W	H	H1	H2	H3	T	Weight (lb)
1/4"	1.26	3.94	6.26	3.19	1.34	0.87	0.61	7/16" W	2.80
1/2"	1.5	4.65	7.4	3.86	1.54	1.02	0.69	1/2" W	4.40
2"	1.97	5.43	7.4	4.25	1.54	1.02	0.69	1/2" W	6.90

Thread Type: ASME B1.20.1 (NPT) | Dimensions: inch

WGI 501 Stainless Steel Ball Valves

CRN

WGI ball valves combine quality performance at an affordable price. Each valve carries approvals that will cover most valve applications. These valves are used in many different industries for a variety of applications.

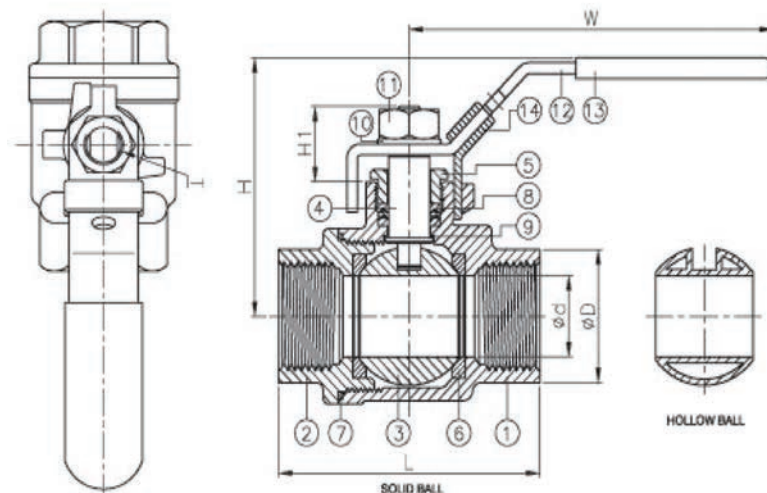
Specifications

Pressure Rating	1/4" — 2" 1,000 PSI
Porting	Full port
Temperature Rating	-40°F — 392°F (-40°C — 200°C)
Body Material	ASTM A351-CF8M
Approvals	NACE, CRN
Features	Blowing-Out Proof Stem, Locking Handle, Tapped and Drilled Mounting Pad



Material

Item	Parts	Material
1	Body	ASTM A351-CF8M
2	Cap	ASTM A351-CF8M
3	Solid Ball Hollow Ball	ASTM A351-CF8M ASTM A240-316
4	Stem	ASTM A276-316
5	Gland	AISI 304
6	Ball Seat	RTFE
7	Body Seal	PTFE
8	Packing	PTFE
9	Thrust Washer	PTFE
10	Spring Washer	AISI 304
11	Nut	AISI 304
12	Handle	Stainless Steel
13	Handle Sleeve	PVC
14	Lock Device	Stainless Steel



Dimensions

NPS	d	D	L	H	H1	T	W	S	Weight (lb)	
									Solid Ball	Hollow Ball
1/4"	0.46	0.75	2.0	2.30	0.71	3/8" - 24UNF	3.94	0.35	0.5	-
3/8"	0.49	0.89	2.0	2.30	0.71	3/8" - 24UNF	3.94	0.35	0.5	-
1/2"	0.59	1.02	2.28	2.30	0.73	3/8" - 24UNF	3.94	0.35	0.7	-
3/4"	0.79	1.26	2.58	2.50	0.89	7/16" - 20UNF	4.92	0.35	1.0	-
1"	0.98	1.50	3.10	3.07	0.98	7/16" - 20UNF	5.87	0.43	1.7	-
1 1/4"	1.26	1.89	3.54	3.27	1.02	7/16" - 20UNF	5.87	0.43	2.5	-
1 1/2"	1.50	2.16	4.13	4.02	1.18	3/4" - 10UNF	7.48	0.55	3.9	-
2"	1.97	2.64	4.88	4.25	1.18	3/4" - 10UNF	7.48	0.55	5.9	5.2

Thread Type: ASME B1.20.1 (NPT) | Dimensions: inch

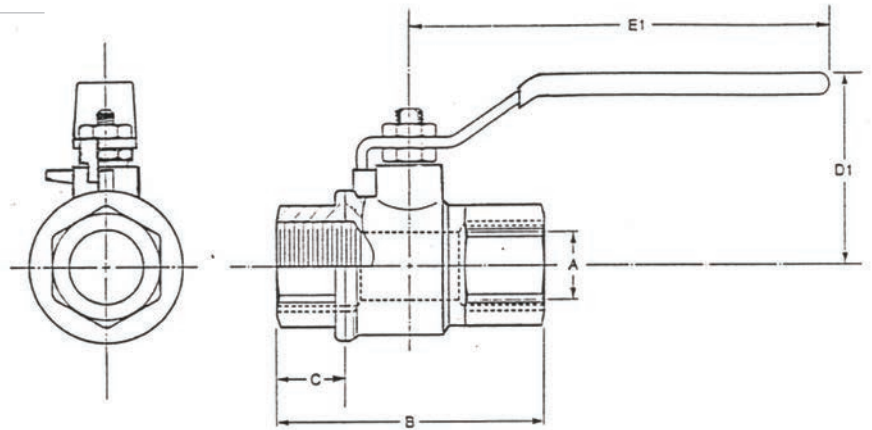
Valves

WGI 601 Series Brass Ball Valves

WGI 601 series offers a high quality brass ball valve that is used in HVAC, agriculture, irrigation, hydraulic and other industries. This series complies with ANSI B1.20.1.

Specifications

Sizes	1/4" — 4" NPT
Porting	Full port
Body Material	Cast brass
Ball Material	Chrome plated brass
Seat Material	Teflon
Stem Packing	Teflon
Pressure Rating	600 PSI WOG / 150 PSI working steam pressure
Temperature Rating	-20°F — 300°F (-29°C — 150°C)
WOG Options	Optional solder by solder ends (special order)



Dimensions

Part Number	A	B	C	D1	E1	Weight (lb)
601-1/4MF-MINI	0.22 / 5.6	1.75 / 44.5	0.375 / 10.0	1.75 / 44.5	1.5 / 88.9	0.44 / 88.9
601-1/4FF-MINI	0.22 / 5.6	1.75 / 44.5	0.375 / 10.0	1.75 / 44.5	1.5 / 88.9	0.44 / 88.9
601-1/4"	0.25 / 6.4	1.75 / 44.5	0.375 / 10.0	1.75 / 44.5	3.50 / 88.9	0.44 / 88.9
601-3/8"	0.375 / 9.5	1.75 / 44.5	0.375 / 10.0	1.75 / 44.5	3.50 / 88.9	0.44 / 88.9
601-1/2"	0.50 / 12.7	2.00 / 50.8	0.50 / 12.7	1.95 / 49.5	3.50 / 88.9	0.55 / 0.25
601-3/4"	0.75 / 19.1	2.25 / 57.2	0.57 / 14.5	2.10 / 53.3	4.10 / 104.1	0.77 / 0.35
601-1"	1.00 / 25.4	2.80 / 71.1	0.70 / 17.0	2.60 / 66.0	4.70 / 119.4	1.28 / 0.58
601-1 1/4"	1.25 / 31.8	3.22 / 81.8	0.75 / 19.1	3.00 / 76.2	4.70 / 119.4	2.20 / 1.00
601-1 1/2"	1.50 / 38.1	3.60 / 91.4	0.75 / 19.1	3.35 / 85.1	5.75 / 146.1	3.04 / 1.38
601-2"	2.00 / 50.1	4.20 / 106.7	0.80 / 20.3	3.60 / 91.4	5.75 / 146.1	3.86 / 1.75
601-2 1/2"	2.50 / 63.5	5.30 / 134.6	1.00 / 25.4	4.50 / 114.3	9.20 / 233.7	8.27 / 3.75
601-3"	3.00 / 76.2	6.25 / 158.8	1.20 / 30.5	4.90 / 124.5	9.20 / 233.7	11.02 / 5.00
601-4"	4.00 / 101.6	7.40 / 188.0	1.40 / 35.6	5.70 / 144.8	9.20 / 233.7	18.19 / 8.25

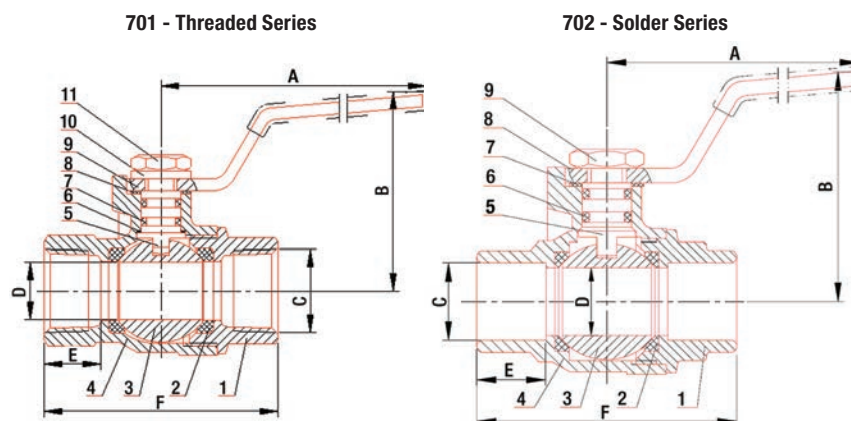
Dimensions: inch / mm

WGI 701/702 Series Brass CSA Ball Valves NPT/Solder

Full port ball valves are manually operated ball valves for gas piping carrying natural gas, propane, butane, air and inert gases.

Specifications

Size	1/4" — 2"
Maximum Operating Pressure	600 WOG / 150 WSP
Body Material	Forged brass
Seats	PTFE
Stem Material	Forged brass
Handle	Steel
Packing	Double O-ring seal
Stem	Blow out proof
Temperature Limits	-30°F — 248°F (-30°C — 120°C)
Agency Approvals	CSA - FM - UL - CE
Thread Standard	ANSI B1.20.1
CSA Certified	<ul style="list-style-type: none"> • ANSI Z21.15/CSA 9.1 Class 3371-08 and Class 3371-88 0.5 PSI • ANSI B16.33 Class 3371-14 and 3371-94 125 PSI • CSA 3.16 Class 3371-10 125 PSI • CSA 3-88 and CGA CR91-002 125 PSI • ASME 16.44 Class 3371-92 5 PSI • CSA file # 205653



Dimensions

Size	A		B		C		D		E		F	
	NPT	Solder	NPT	Solder	NPT	Solder	NPT	Solder	NPT	Solder	NPT	Solder
1/4"	60	-	42	-	1/4-18 NPT	-	8	-	11.5	-	41.8	-
3/8"	85	-	47	-	3/8-18 NPT	-	10	-	12.5	-	47.5	-
1/2"	90	90	52	50	1/2-14 NPT	16	14	14	16	12.5	57.2	52.6
3/4"	90	95	52.4	54.5	3/4-14 NPT	22.3	19	19	18.5	19	67.6	74.0
1"	115	115	58.6	62.7	1-11½ NPT	28.7	24	24	21	23	79.6	90.0
1¼"	141	140	76	73.5	1¼-11½ NPT	35	31	31	23	24.5	92.5	99.0
1½"	141	140	80	75	1½-11½ NPT	41.4	38	38	23.5	28	95.0	113.5
2"	151	150	90	86.5	2-11½ NPT	54.1	49	49	24	34	114.0	133.0

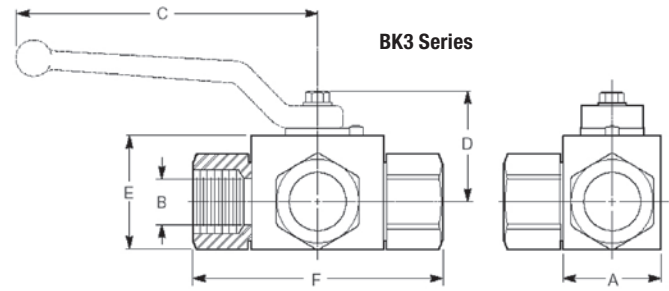
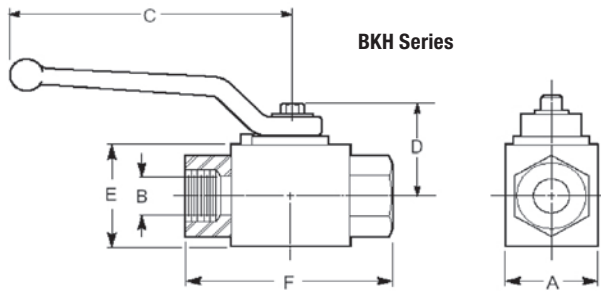
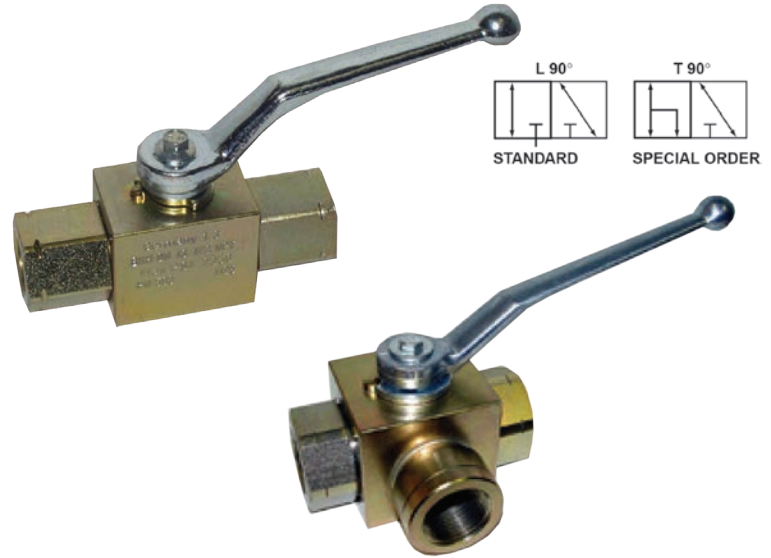
Dimensions: inch / mm

WGI BKH/BK3 Series High Pressure Ball Valves

WGI BKH high pressure series ball valves are made of nickel plated carbon steel and are primarily used in the hydraulic industry where pressures operate around 5,000 PSI. WGI BKH series ball valves are field repairable, have blowout proof stems and delrin ball seats.

Specifications

Sizes	1/4" — 2" NPT
Porting	Full port
Body Material	Carbon steel
Ball & Stem Material	Nickel plated carbon steel
Seat Material	Delrin
Stem Packing	Buna N
Pressure Rating	1/4", 3/8" and 1/2" 7,350 PSI 3/4" — 2" 5,000 PSI
Temperature Rating	-20°F — 300°F (-29°C — 150°C)
WOG Options	Die-cast zinc



Dimensions

BKH Series								
Size	Working Pressure	A	B	C	D	E	F	Weight (kg)
1/4"	7,350 PSI	26	6	115	13.5	47	69	0.4
3/8"	7,350 PSI	32	10	115	17.5	52	78	0.55
1/2"	7,350 PSI	35	13	115	19	54	104	0.75
3/4"	5,880 PSI	49	20	200	24.5	75	102	1.63
1"	5,145 PSI	58	25	200	29.5	83	119	2.3
1 1/4"	5,145 PSI	81	32	320	40.5	107	120	3.3
1 1/2"	5,145 PSI	100	38	320	50	124	130	5.4

BK3 Series								
Size	Working Pressure	A	B	C	D	E	F	Weight (kg)
1/2"	5,145 PSI	1.38	0.51	4.21	1.31	1.57	3.62	-
3/4"	5,145 PSI	1.93	0.79	6.5	1.91	2.24	3.82	-
1"	5,145 PSI	2.36	0.94	6.5	1.95	2.36	4.45	-

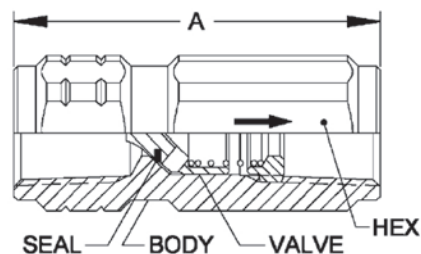
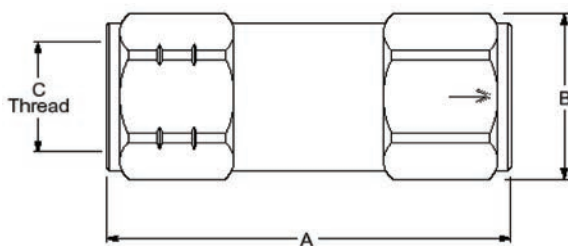
Dimensions: mm

WGI Soft Seat In-line Check Valves

Soft seat high pressure in-line check valves are an ideal choice for preventing back-flow on any process system.

Specifications

Maximum Working Pressure	3,675 PSI — 10,000 PSI
Cracking Pressure	7 PSI (70 PSI Optional)
Poppet "O" Rings	Carbon Steel - Buna N Stainless Steel - Viton
Available	1/4" — 2"
Temperature Limits	Carbon -22°F — 212°F (-30°C — 100°C) Stainless 13°F — 392°F (-25°C — 200°C)
Spring Material	Carbon Steel - 304 SS Stainless Steel - 304 SS



Dimensions

Part Number	Nominal Size	Working Pressure	Thread (C)	Cracking Pressure	Rated Flow	A	B (HEX)	Material
VU-14-F-7	1/4"	10,000 PSI	1/4" FNPT	7 PSI	5.8 GPM	1.97	0.75	CS
VU-14-F-7-SS	1/4"	5,145 PSI	1/4" FNPT	7 PSI	4.7 GPM	1.97	0.75	316 SS
VU-38-F-7	3/8"	10,000 PSI	3/8" FNPT	7 PSI	9.47 GPM	2.36	0.91	CS
VU-38-F-7-SS	3/8"	5,145 PSI	3/8" FNPT	7 PSI	10.5 GPM	2.37	0.95	316 SS
VU-12-F-7	1/2"	7,350 PSI	1/2" FNPT	7 PSI	17.9 GPM	2.76	1.06	CS
VU-12-F-7-SS	1/2"	5,145 PSI	1/2" FNPT	7 PSI	13.1 GPM	2.56	1.07	316 SS
VU-34-F-7	3/4"	7,350 PSI	3/4" FNPT	7 PSI	29.7 GPM	3.39	1.38	CS
VU-34-F-7-SS	3/4"	4,400 PSI	3/4" FNPT	7 PSI	23.7 GPM	2.96	1.34	316 SS
VU-1-F-7	1"	7,350 PSI	1" FNPT	7 PSI	35.8 GPM	3.94	1.62	CS
VU-1-F-7-SS	1"	3,675 PSI	1" FNPT	7 PSI	36.9 GPM	3.67	1.62	316 SS

Size	Nominal Size	Thread NPTF	Dimensions		*Rated Pressure	
			A	Hex	PSI	Bar
1/4"	VU-14-F-7	1/4 - 18	1.36	0.56	10,150	700
3/8"	VU-38-F-7	3/8 - 18	1.80	0.88	10,150	700
1/2"	VU-12-F-7	1/2 - 14	2.23	1.13	7,250	500
3/4"	VU-34-F-7	3/4 - 14	1.80	0.88	7,250	500
1"	VU-1-F-7	1 - 11½	2.23	1.13	7,250	500

*Pressure ratings are given for values in an open position with a constant flow | Dimensions: inch / mm

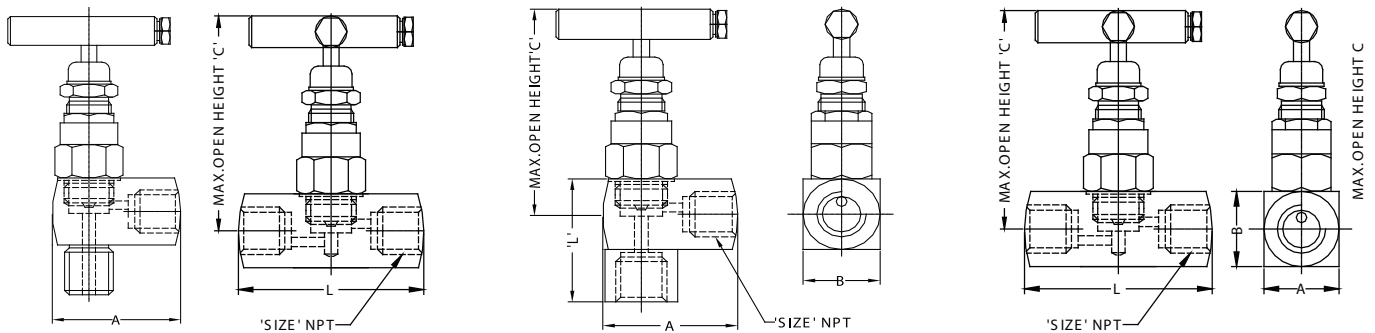
WGI Hard Seat Needle Valves – Carbon Steel

CRN

This series of valves has been engineered for high flow and high pressure applications. Each valve has a large orifice for maximum flow at 10,000 PSI. Stem packing is adjustable and each bonnet has a bonnet lock pin.

Specifications

Sizes	1/8" — 1" NPT
Maximum Operating Pressure	10,000 PSI
Body & Bonnet Material	Carbon Steel ASTM - A - 105N
Stem Material	ASME - SA - 479
Stem Packing	PTFE Teflon
Stem	Non-rotating tip for sizes 3/8" and above
Temperature Limits	-40°F — 500°F (-40°C — 260°C)



Dimensions

Part Number	Size	Style	Ends	A	B	C	L	L1	D	Cv
WN1511	1/8"	G	F x F	28.5	28.5	83	60	-	4.2	0.4
WN1512	1/4"	G	F x F	28.5	28.5	83	60	-	4.2	0.4
WN1513	3/8"	G	F x F	32	32	88	68	-	6.4	0.9
WN1514	1/2"	G	F x F	38	38	88	89	-	7	1.1
WN1516	3/4"	G	F x F	40	40	92	89	-	9	2.3
WN1518	1"	G	F x F	45	45	105	89	-	12	3.5
WN1532	1/4"	G	M x F	28.5	28.5	83	76	30	4.2	0.4
WN1533	3/8"	G	M x F	32	32	88	89	32	6.4	0.9
WN1534	1/2"	G	M x F	38	38	88	89	32	7	1.2
WN1536	3/4"	G	M x F	38	38	88	89	32	7	1.2
WN1537	3/4" x 1/2"	G	M x F	40	40	93	89	32	9	2.3
WN1538	1"	G	M x F	38	38	92	89	39	7	1.9
WN1551	1/8"	A	F x F	45	45	105	80	-	12	3.5
WN1552	1/4"	A	F x F	42	28	88	42	-	4.2	0.7
WN1553	3/8"	A	F x F	42	28	88	42	-	4.2	0.8
WN1554	1/2"	A	F x F	42	28	88	42	-	6.4	1.6
WN1556	3/4"	A	F x F	50	32	90	50	-	7	1.5
WN1558	1"	A	F x F	50	36	90	50	-	9	4.4
WN1572	1/4"	A	M x F	60	46	105	60	-	12	6.2
WN1574	1/2"	A	M x F	42	28	85	42	-	4.2	0.6

*D = Orifice diameter | Dimensions: mm

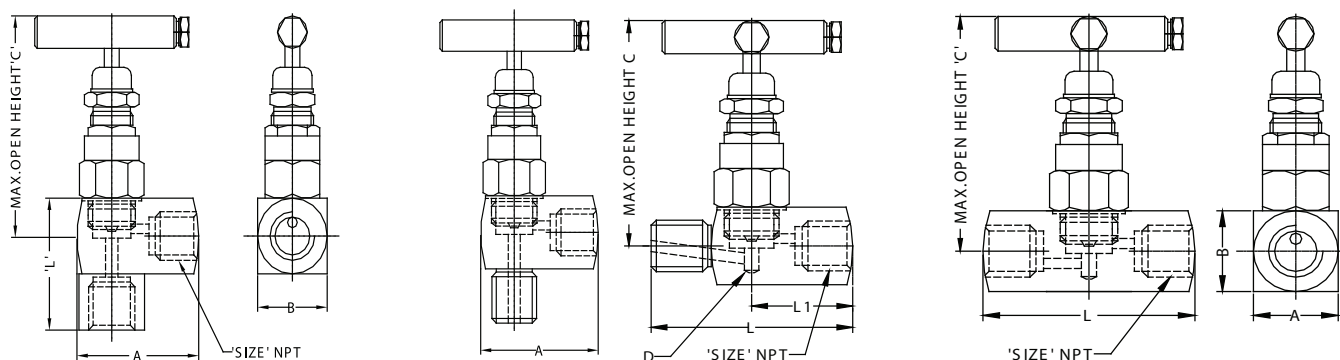
WGI Hard Seat Needle Valves – Stainless Steel

CRN

This series of valves has been engineered for high flow and high pressure applications. Each valve has a large orifice for maximum flow at 10,000 PSI. Stem packing is adjustable and each bonnet has a bonnet lock pin. This series is made of 316 stainless steel for any corrosive applications.

Specifications

Sizes	1/8" — 1" NPT
Maximum Operating Pressure	10,000 PSI
Body & Bonnet Material	316 SS ASTM-A-479
Stem Material	316 SS ASTM-A-479
Stem Packing	PTFE Teflon
Stem	Non-rotating tip for sizes 3/8" and above
Temperature Limits	-40°F — 500°F (-40°C — 260°C)



Dimensions

Part Number	Size	Style	Ends	A	B	C	L	L1	D	Cv
WN1311	1/8"	G	F x F	28.5	28.5	83.0	60.0	-	4.2	0.40
WN1312	1/4"	G	F x F	28.5	28.5	83.0	60.0	-	4.2	0.40
WN1313	3/8"	G	F x F	32.0	32.0	88.0	68.0	-	6.4	0.90
WN1314	1/2"	G	F x F	38.0	38.0	88.0	89.0	-	7.0	1.10
WN1316	3/4"	G	F x F	40.0	40.0	92.0	89.0	-	9.0	2.30
WN1318	1"	G	F x F	45.0	45.0	105.0	89.0	-	12.0	3.50
WN1332	1/4"	G	M x F	28.5	28.5	83.0	76.0	30.0	4.2	0.40
WN1334	1/2"	G	M x F	38.0	38.0	88.0	89.0	32.0	7.0	1.20
WN1336	3/4"	G	M x F	38.0	38.0	88.0	89.0	32.0	7.0	1.20
WN1337	3/4" x 1/2"	G	M x F	40.0	40.0	93.0	89.0	32.0	9.0	2.30
WN1338	1"	G	M x F	38.0	38.0	92.0	89.0	39.0	7.0	1.90
WN1351	1/8"	A	F x F	45.0	45.0	105.0	80.0	-	12.0	3.50
WN1352	1/4"	A	F x F	42.0	28.0	88.0	42.0	-	4.2	0.70
WN1353	3/8"	A	F x F	42.0	28.0	88.0	42.0	-	4.2	0.80
WN1354	1/2"	A	F x F	42.0	28.0	88.0	42.0	-	6.4	1.60
WN1356	3/4"	A	F x F	50.0	32.0	90.0	50.0	-	7.0	1.50
WN1358	1"	A	F x F	50.0	36.0	90.0	50.0	-	9.0	4.40
WN1372	1/4"	A	M x F	60.0	46.0	105.0	60.0	-	12.0	6.20
WN1374	1/2"	A	M x F	42.0	28.0	85.0	42.0	-	4.2	0.60

*D = Orifice diameter | Dimensions: mm

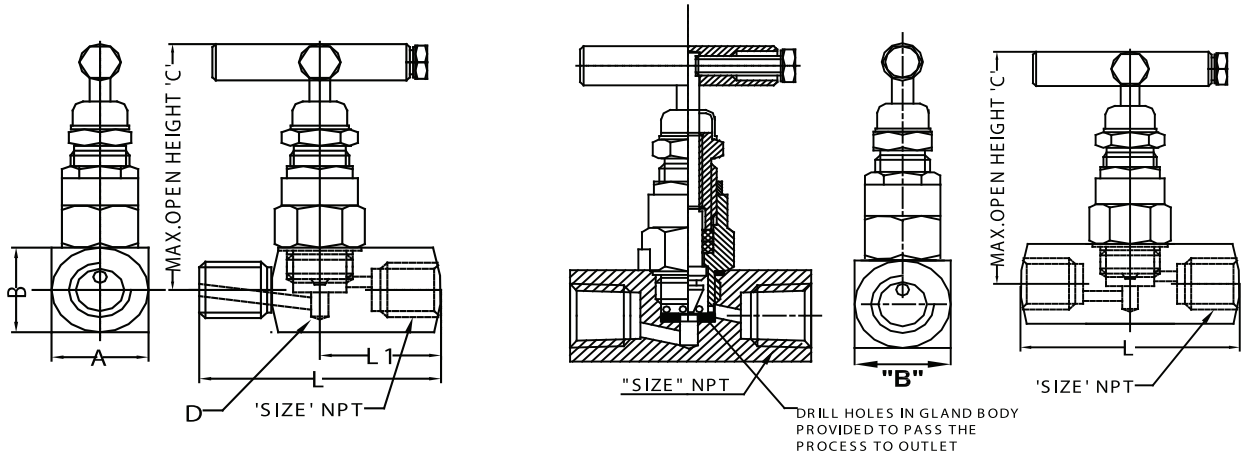
WGI Soft Seat Needle Valves – Carbon/Stainless Steel

CRN

WGI soft seat needle valve series offers a bubble tight shut-off for critical applications. They also offer a great solution for applications requiring constant adjustments.

Specifications

Sizes	1/4" — 1" NPT
Maximum Operating Pressure	6,000 PSI
Body & Bonnet Material	CSASTM-A-105N, 316 SS ASME-A-479
Stem Material	ASME-SA-479
Stem Packing	PTFE Teflon
Stem	Non-rotating tip for sizes 3/8" and above
Temperature Limits	-40°F — 500°F (-40°C — 260°C)



Dimensions

Stainless Steel										
Part Number	Size	Pattern	Ends	Material	A	B	C	L	L1	D
WN5312	1/4"	G	F x F	316 SS	28.5	28.5	83	60	-	4.2
WN5314	1/2"	G	F x F	316 SS	32.0	32.0	88	68	-	7.0
WN5316	3/4"	G	F x F	316 SS	40.0	40.0	92	68	-	9.0
WN5318	1"	G	F x F	316 SS	45.0	45.0	105	80	-	12.0
WN5332	1/4"	G	M x F	316 SS	28.5	28.5	83	76	32	4.2
WN5334	1/2"	G	M x F	316 SS	38.0	38.0	88	89	32	7.0
WN5336	3/4"	G	M x F	316 SS	38.0	38.0	92	89	32	7.0

Carbon Steel										
Part Number	Size	Pattern	Ends	Material	A	B	C	L	L1	D
WN5312	1/4"	G	F x F	316 SS	28.5	28.5	83	60	-	4.2
WN5314	1/2"	G	F x F	316 SS	32.0	32.0	88	68	-	7.0
WN5316	3/4"	G	F x F	316 SS	40.0	40.0	92	68	-	9.0
WN5318	1"	G	F x F	316 SS	45.0	45.0	105	80	-	12.0
WN5332	1/4"	G	M x F	316 SS	28.5	28.5	83	76	32	4.2
WN5334	1/2"	G	M x F	316 SS	38.0	38.0	88	89	32	7.0
WN5336	3/4"	G	M x F	316 SS	38.0	38.0	92	89	32	7.0

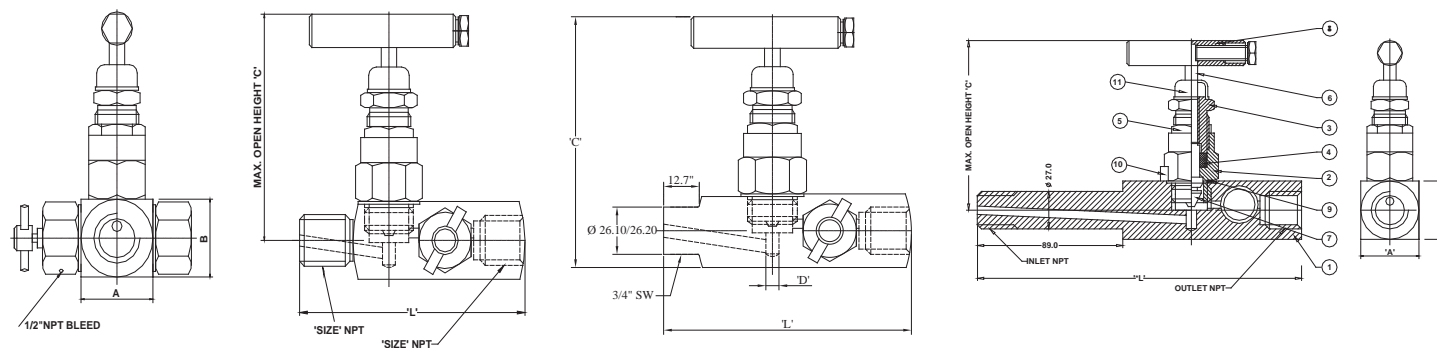
Dimensions: mm

WGI Multi Port Valves

WGI multi-port valve offers extra outlet ports to accommodate additional devices. They have a large orifice for extra flow and still workable to 10,000 PSI.

Specifications

Sizes	1/2" x 1/2", 3/4" x 1/2", 1" x 1/2"
Maximum Operating Pressure	10,000 PSI / 70,000 kPa / 700 bar
Body & Bonnet Material	CS-ASTM-A105N, 316 SS ASTM-A479
Stem Material	ASME A-479
Handle	CS-ASTM - A105 and ASME - A-479
Dust Cap	Aluminum
Packing Material	PTFE Teflon, optional materials available. Packing located below threads to insure clean smooth operation.
Stem	Non-rotating tip
Temperature Limits	Teflon -40°F — 500°F (-40°C — 250°C)
Traceability	Each valve has a number stamped on it traceable to a MTR. The hard copies are available upon request.



Material

Item	Parts	WN75	WN85
1	Handle	CS	SS
2	Spindle	CS	SS
3	Dust Cap	Plastic	Plastic
4	Nut	CS	SS
5	Identification Ring	Aluminum	Aluminum
6	Gland	CS	SS
7	Body	CS	SS
8	Lock Pin	SS	SS
9	Packing	PTFE/Grafoil	PTFE/Grafoil

Dimensions

Part Number	Size	Style	Ends	Material	A	B	C	L	D
WN7534	1/2"x1/2"	G	M x F	CS NACE	32.0	32.0	88.0	95.0	7.0
WN7536	3/4"x1/2"	G	M x F	CS NACE	32.0	32.0	88.0	95.0	7.0
WN8534	1/2"x1/2"	G	M x F	316 SS	32.0	32.0	88.0	95.0	7.0
WN8536	3/4"x1/2"	G	M x F	316 SS	32.0	32.0	88.0	95.0	7.0
WN8534-1L	1/2"x1/2"	G	M x F	316 SS	38.5	38.5	88.0	129.0	7.0
WN8536-1L	3/4"x1/2"	G	M x F	316 SS	38.5	38.5	88.0	129.0	7.0
WN8536-3L	3/4"x1/2"	G	M x F	316 SS	38.5	38.5	88.0	180.0	7.0
WN8538-1L	1"x1/2"	G	M x F	316 SS	38.5	38.5	88.0	129.0	7.0

Dimensions: mm

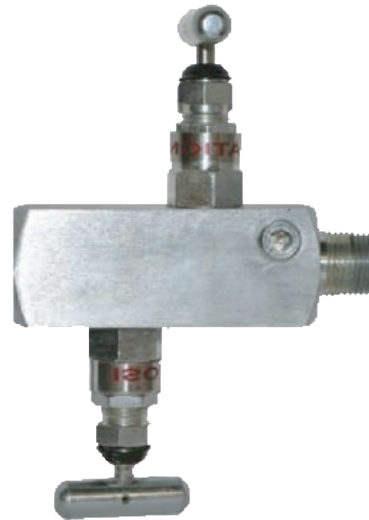
WGI Block & Bleed Valves

CRN

WGI block and bleed needle valves offer a single valve combining isolation and venting of process mediums. It features a large orifice for high flow application and eliminates the need for the extra tubing and fittings.

Specifications

Sizes	1/4" — 3/4" NPT
Maximum Operating Pressure	10,000 PSI / 70,000 KPA / 700 BAR
Body & Bonnet Material	CS-ASTM - A - 105N, 316 SS ASTM - A-479
Stem Material	ASTM-A-105
Stem Packing	PTFE Teflon - Optional material is available
Stem	Non-rotating tip
Temperature Limits	-40°F — 500°F (-40°C — 260°C)

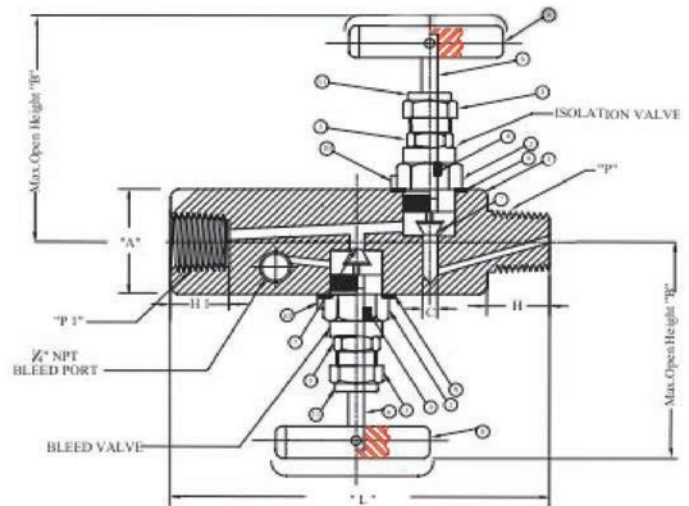


**Roddable
Version
Available**

Contact us for
more details

Material

Item	Parts	Material
1	Body	CS-ASTM A 105, 316 SS-ASTM A479
2	Gland Body	CS-ASTM A 105, 316 SS-ASTM A479
3	Gland Retainer	CS-ASTM A 105, 316 SS-ASTM A479
4	Gland Seal	PTFE / GRAFOIL
5	Lock Nut	CS-ASTM A 105, 316 SS-ASTM A479
6	Spindle	316 SS-ASTM A479
7	Tip	316 SS-ASTM A479
8	Handle	CS-ASTM A 105/ 316 SS-ASTM A479
9	Washer	316 SS-ASTM A479
10	Lock Pin	Stainless Steel
11	Dust Cap	Aluminum



Dimensions

Part Number	Size NPT	Ends	Material	A	B	C	L	H	H1	Cv
WN9732	1/4" X 1/4"	M x F	316 SS	38.0	95.0	4.20	114.50	14.20	15.0	0.40
WN9734	1/2" X 1/2"	M x F	316 SS	38.0	95.0	4.20	114.50	19.05	19.8	0.40
WN9736	3/4" X 1/2"	M x F	316 SS	38.0	95.0	4.20	114.50	19.05	19.8	0.40
WN9532	1/4" X 1/4"	M x F	CS NACE	38.0	95.0	4.20	114.50	14.20	15.0	0.40
WN9534	1/2" X 1/2"	M x F	CS NACE	38.0	95.0	4.20	114.50	19.05	19.8	0.40
WN9536	3/4" X 1/2"	M x F	CS NACE	38.0	95.0	4.20	114.50	19.05	19.8	0.40

Dimensions: mm

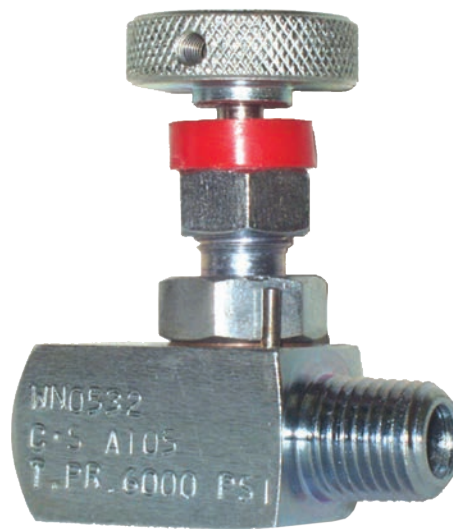
WGI Miniature Needle Valves – Hard Seat & Soft Seat

CRN

WGI miniseries offers a compact size with both hard and soft seat options. These valves are ideal for any application where size and price are important.

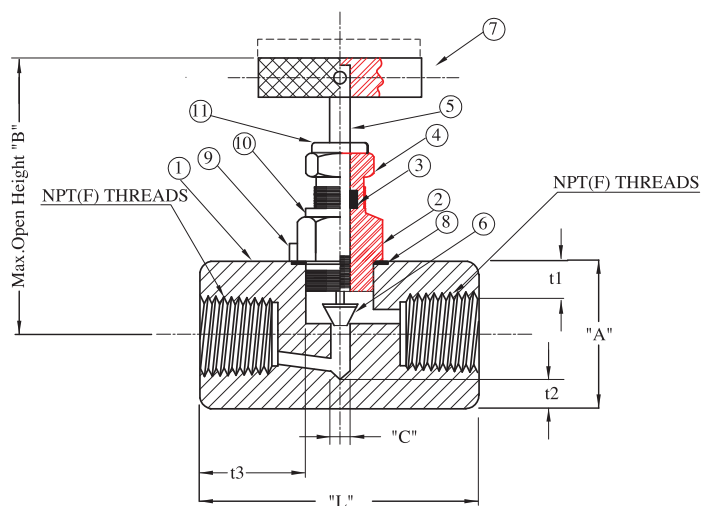
Specifications

Sizes	1/8" and 1/4" NPT
Maximum Operating Pressure	6,000 PSI
Body & Bonnet Material	ASTM- A-105, ASTM-A-479
Stem Material	ASME-A-479
Stem Packing	PTFE Teflon
Stem	Rotating
Seat Material (WN06 & WN04 Series)	PTFE Teflon
Temperature Rating	-40°F — 500°F (-40°C — 260°C)
Max Operating Temperature	WN07/WN09 — 0-3,000 PSI WN03, 04, 05, 06 — 0-6,000 PSI



Material

Item	Parts	Material
1	Body	CS-ASTM A105, 316 SS-ASTM A479
2	Gland Body	CS-ASTM A105, 316 SS-ASTM A479
3	Gland Seal	PTFE, GRAFOIL
4	Hex Nut	CS-ASTM A105, 316 SS-ASTM A479
5	Spindle	316 SS-ASTM A479
6	Tip	316 SS-ASTM A479
7	Handle	CS-ASTM A105, 316 SS-ASTM A479
8	Washer	CS-ASTM A105, 316 SS-ASTM A479
9	Lock Pin	CS-ASTM A105, 316 SS-ASTM A479
10	Identification Ring	Aluminum



Dimensions

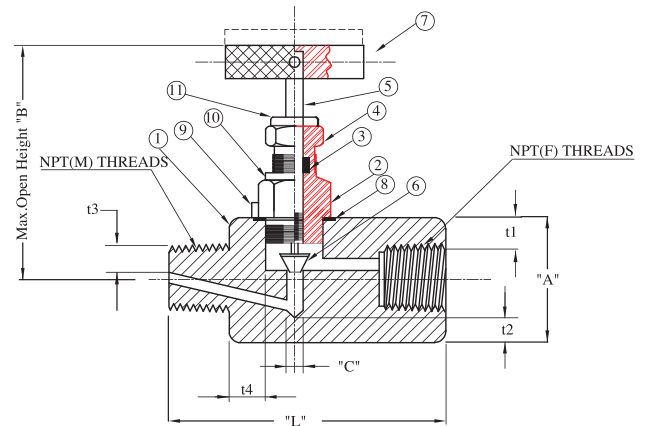
Part Number	Size	Ends	Material	A	B	C	L	t2	t3
WN 0732	1/4" x 1/4"	M x F	316 SS	22.0	62.0	3.2	48.26	6.25	17.80
WN 0932	1/4" x 1/4"	M x F	CS	22.0	62.0	3.2	48.26	6.25	17.80

Dimensions: mm

WGI Miniature Needle Valves – Hard Seat - M x F

Material

Item	Parts	Material
1	Body	CS ASTM A105/ 316 SS ASTM A479
2	Gland Body	CS ASTM A105/ 316 SS ASTM A479
3	Gland Seal	PTFE/Grafoil
4	Hex Nut	CS ASTM A105/ 316 SS ASTM A479
5	Spindle	316 SS ASTM A479
6	Tip	316 SS ASTM A479
7	Handle	CS ASTM A105/ 316 SS ASTM A479
8	Washer	CS ASTM A105/ 316 SS ASTM A479
9	Lock Pin	CS ASTM A105/ 316 SS ASTM A479
10	Identification Ring	Aluminum
11	Dust cap	Aluminum/Plastic



Dimensions

Part Number	Size	Ends	Material	A	B	C	L	t2	t1	t4
WN 0532	1/4"x1/4"	M x F	CS	22.0	62.0	3.20	48.26	6.25	4.14	5.70
WN 0332	1/4"x1/4"	M x F	316 SS	22.0	62.0	3.20	48.26	6.25	4.14	5.70

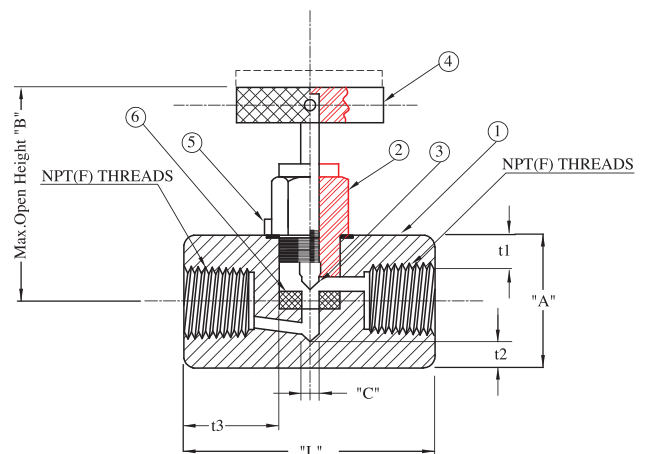
WGI Miniature Needle Valves – Soft Seat - F x F

Material

Item	Parts	Material
1	Body	CS-ASTM A105, 316 SS-ASTM A479
2	Gland Body	CS-ASTM A105, 316 SS-ASTM A479
3	Spindle	316 SS-ASTM A479
4	Handle CS Valve	CS-ASTM A105
5	Handle 316 SS Valve	Aluminum
6	Lock Pin	ASTM A479
7	Soft Seat	DELRIN

Dimensions

Part Number	Size	Ends	Material	A	B	C	L	t2	t1	t4
WN 0612	1/4"x1/4"	F x F	CS	19.0	48.0	3.20	48.0	3.75	2.64	17.70
WN 0412	1/4"x1/4"	F x F	316 SS	19.0	48.0	3.20	48.0	3.75	2.64	17.70



Dimensions: mm

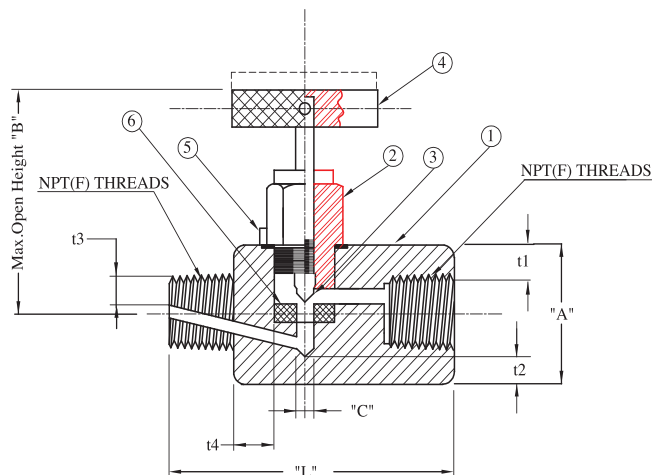
WGI Miniature Needle Valves – Soft Seat M x F

Specifications

Pressure Rating	6,000 PSI
Temperature Rating	100°F

Material

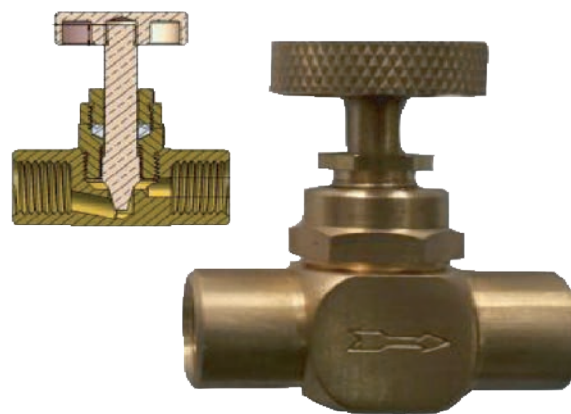
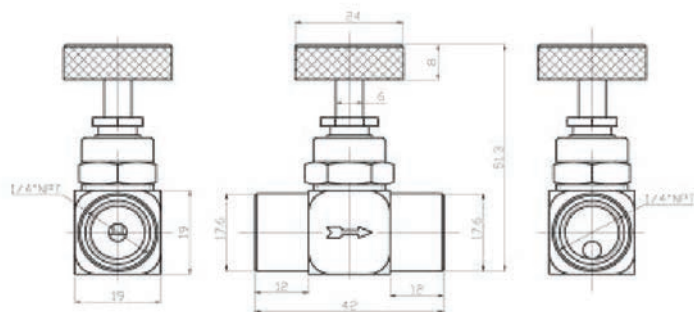
Item	Parts	Material
1	Body	CS-ASTM A105, 316 SS-ASTM A479
2	Gland Body	CS-ASTM A105, 316 SS-ASTM A479
3	Spindle	316 SS-ASTM A479
4	Handle CS Valve Handle 316 SS Valve	CS-ASTM A105 Aluminum
5	Lock Pin	ASTM A479
6	Soft Seat	DELRIN



Dimensions

Part Number	Size	Ends	Material	A	B	C	L	t2	t1	t3	t3
WN 0632	1/4"x1/4"	M x F	CS	19.0	48.0	3.20	48.0	3.75	2.64	3.90	5.70
WN 0432	1/4"x1/4"	M x F	316 SS	19.0	48.0	3.20	48.0	3.75	2.64	3.90	5.70

Brass Needle Valves



Dimensions

Part Number	Size	Material	Ends	Pressure & Temperature Rating
WN 0112	1/4"x1/4"	Brass	F x F	600 PSI, 300°F
WN 0132	1/4"x1/4"	Brass	M x F	600 PSI, 300°F

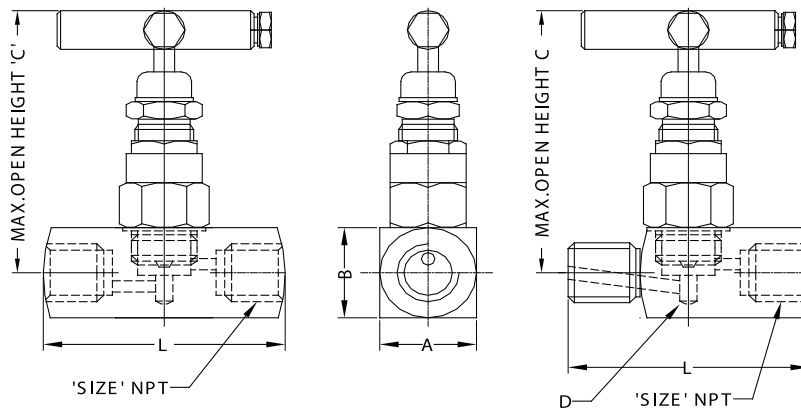
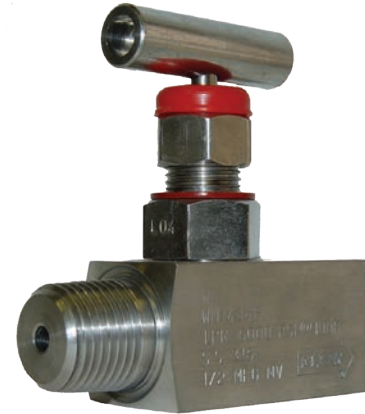
Dimensions: mm

WGI Packager Needle Valves – Instrumentation Valve – Carbon Steel

WGI packager series needle valve offers a compact valve at a very competitive price. The carbon steel valve comes with standard NACE MR0175 approval and carry a traceable heat number stamped on each valve.

Specifications

Sizes	1/4" — 1"
Maximum Operating Pressure	6,000 PSI tested at 10,000 PSI
Body & Bonnet Material	ASME-A175SN
Stem Material	ASME-SA-479
Stem Packing	PTFE Teflon
Stem	Non-rotating tip – 1/2" NPT and larger
Temperature Limits	-40°F — 500°F (-40°C — 260°C)



Dimensions

Part Number	Size	Pattern	Ends	Material	Cv	A	B	C	L	D
WN1612PN	1/4"	G	F x F	CS NACE	0.25	22.0	22.0	74	54.0	3.2
WN1613PN	3/8"	G	F x F	CS NACE	0.25	28.5	28.5	85	68.0	3.2
WN1614PN	1/2"	G	F x F	CS NACE	0.25	28.5	28.5	85	76.2	3.2
WN1616PN	3/4"	G	F x F	CS NACE	0.70	35.0	35.0	89	68.0	6.0
WN1618PN	1"	G	F x F	CS NACE	0.70	45.0	45.0	91	76.2	6.0
WN1631PN	1/2" x 3/8"	G	M x F	CS NACE	0.25	22.0	22.0	62	54.0	3.2
WN1632PN	1/4"	G	M x F	CS NACE	0.25	22.0	22.0	62	54.0	3.2
WN1633PN	3/8"	G	M x F	CS NACE	0.25	28.5	28.5	85	76.2	3.2
WN1634PN	1/2"	G	M x F	CS NACE	0.25	28.5	28.5	85	76.2	3.2
WN1635PN	1/2" x 1/4"	G	M x F	CS NACE	0.25	28.5	28.5	85	76.2	3.2
WN1636PN	3/4"	G	M x F	CS NACE	0.70	35.0	35.0	89	76.2	6.0
WN1637PN	3/4" x 1/2"	G	M x F	CS NACE	0.40	30.0	30.0	78	76.2	4.2
WN1638PN	1"	G	M x F	CS NACE	0.70	45.0	45.0	112	90.0	6.0
WN1639PN	1" x 1/2"	G	M x F	CS NACE	-	45.0	45.0	112	90.0	9.0

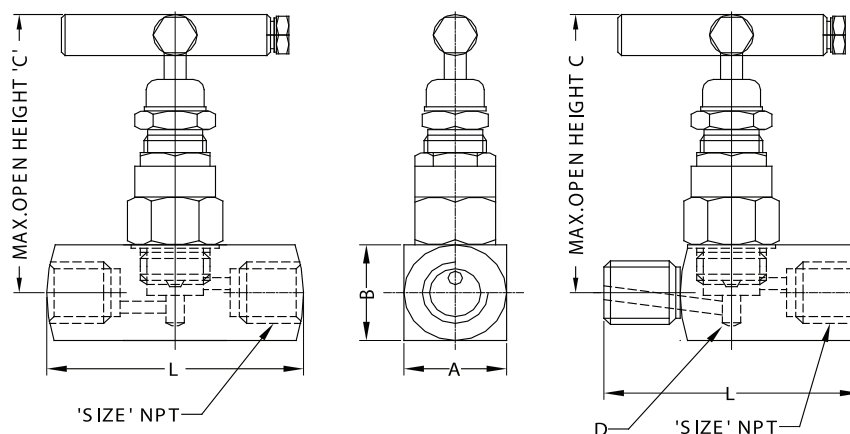
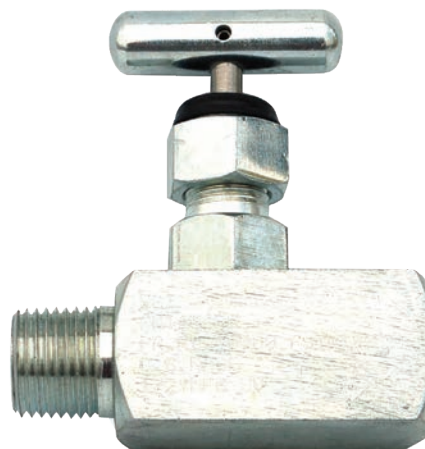
*D = Orifice diameter | Dimensions: mm

WGI Packager Needle Valves – Instrumentation Valve – Stainless Steel

WGI stainless steel packager series offers all the same features as the carbon steel series but gives you the extra protection for any outdoor or extreme applications.

Specifications

Sizes	1/4" — 1"
Maximum Operating Pressure	6,000 PSI tested at 10,000 PSI
Body & Bonnet Material	ASME-SA-479
Stem Material	ASME-SA-479
Stem Packing	PTFE Teflon
Stem	Non-rotating tip - 1/2" NPT and larger
Temperature Limits	-40°F — 500°F (-40°C — 260°C)



Dimensions

Part Number	Size	Pattern	Ends	Material	Cv	A	B	C	L	D
WN1412P	1/4"	G	F x F	316 SS	0.25	22.0	22.0	74	54.0	3.2
WN1413P	3/8"	G	F x F	316 SS	0.25	28.5	28.5	85	68.0	3.2
WN1414P	1/2"	G	F x F	316 SS	0.25	28.5	28.5	85	76.2	3.2
WN1416P	3/4"	G	F x F	316 SS	0.70	35.0	35.0	89	68.0	6.0
WN1418P	1"	G	F x F	316 SS	0.70	45.0	45.0	91	76.2	6.0
WN1431P	1/2" x 3/8"	G	M x F	316 SS	0.25	22.0	22.0	62	54.0	3.2
WN1432P	1/4"	G	M x F	316 SS	0.25	22.0	22.0	62	54.0	3.2
WN1433P	3/8"	G	M x F	316 SS	0.25	28.5	28.5	85	76.2	3.2
WN1434P	1/2"	G	M x F	316 SS	0.25	28.5	28.5	85	76.2	3.2
WN1435P	1/2" x 1/4"	G	M x F	316 SS	0.25	28.5	28.5	85	76.2	3.2
WN1436P	3/4"	G	M x F	316 SS	0.70	35.0	35.0	89	76.2	6.0
WN1437P	3/4" x 1/2"	G	M x F	316 SS	0.40	30.0	30.0	78	76.2	4.2
WN1438P	1"	G	M x F	316 SS	0.70	45.0	45.0	112	90.0	6.0
WN1439P	1" x 1/2"	G	M x F	316 SS	-	45.0	45.0	112	90.0	9.0

*D = Orifice diameter | Dimensions: mm

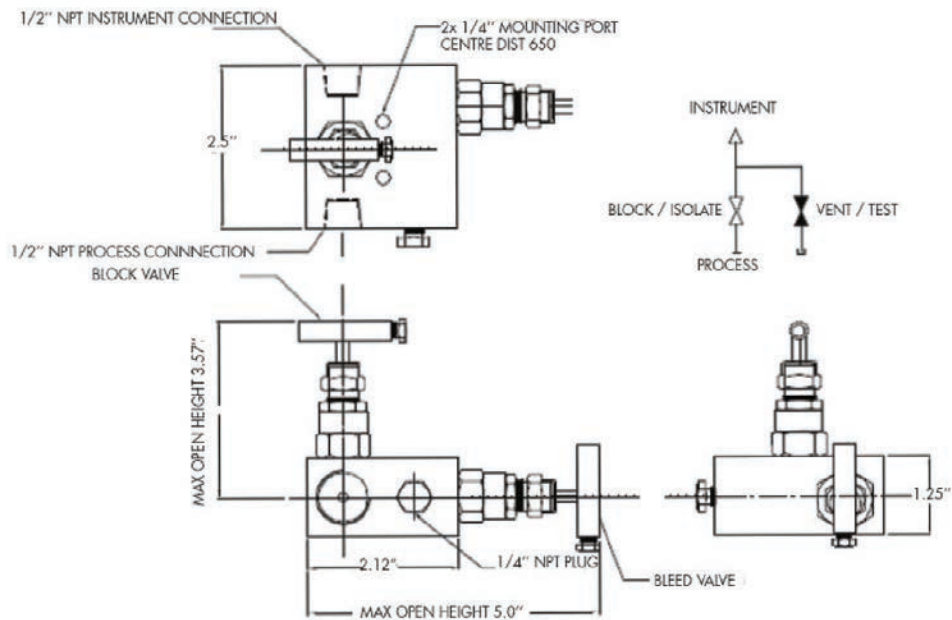
WGI 2-Valve Hard Seat Threaded Manifold

CRN

For use with pressure transmitters, switches, gauges, etc. A block valve providing instrument isolation and a drain/vent allowing for venting, draining or calibration.

Specifications

Connection	Instrument and Process – 1/2" NPT (F)
Maximum Operating Pressure	6,000 PSI @ 200°F
Body & Bonnet Material	ASTM-A-105N, ASME-A-479
Gland Packing	Adjustable, below stem thread design (PBT), prevent process fluid contact with stem threads. PTFE for temperature below 500°F/ Graphite for temperature above 500°F
Stem	Close tolerance surface finish, cold rolled threads, ASME-SA-479
Needle Tip	Self centering hardened and ground ASME SA-479 Type 316 SS
Temperature Rating	-40°F — 500°F (-40°C — 260°C)



Cross Reference Chart

Part Number	Material	Ends
WM21514	CS NACE	NPT x NPT
WM21314	316 SS	NPT x NPT

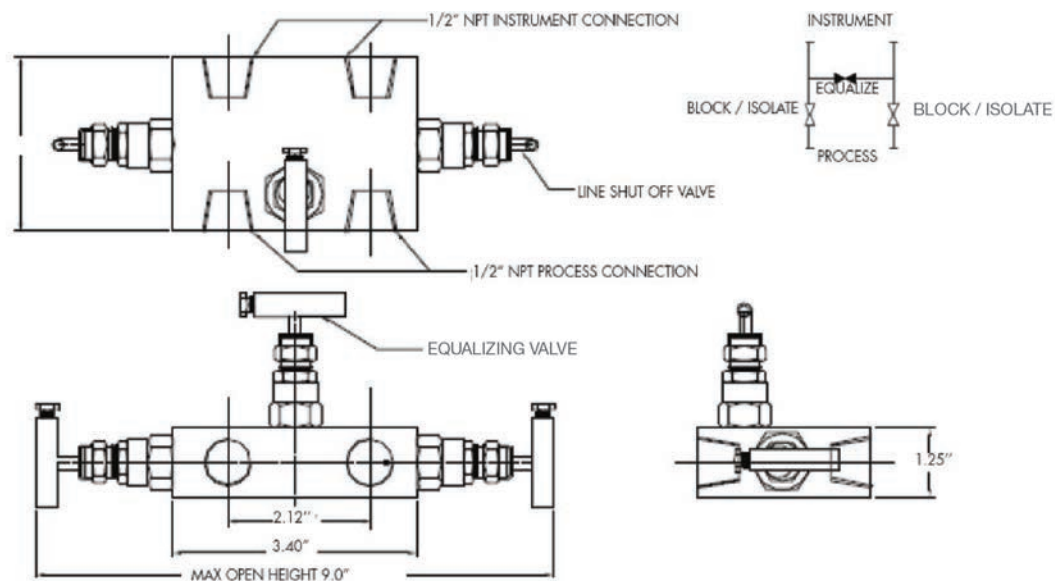
WGI 3-Valve Hard Seat Threaded Manifold – Carbon/Stainless Steel

CRN

For use with differential pressure transmitters and multi-variable transmitters. Two block valves provide instrument isolation and one equalizing valve is positioned between the high and low transmitter process connections.

Specifications

Connection	Instrument and Process – 1/2" NPT (F)
Maximum Operating Pressure	6,000 PSI @ 200°F
Body & Bonnet Material	ASTM-A-105N, ASME-A-479
Gland Packing	Adjustable, below stem thread design (PBT), prevent process fluid contact with stem threads. PTFE for temperature below 500°F/ Graphite for temperature above 500°F
Stem	Close tolerance surface finish, cold rolled threads, ASME-SA-479
Needle Tip	Self centering hardened and ground ASME SA-479 Type 316 SS
Temperature Rating	-40°F — 500°F (-40°C — 260°C)



Cross Reference Chart

Part Number	Material	Ends
WM31514	CS NACE	NPT x NPT
WM31314	316 SS	NPT x NPT

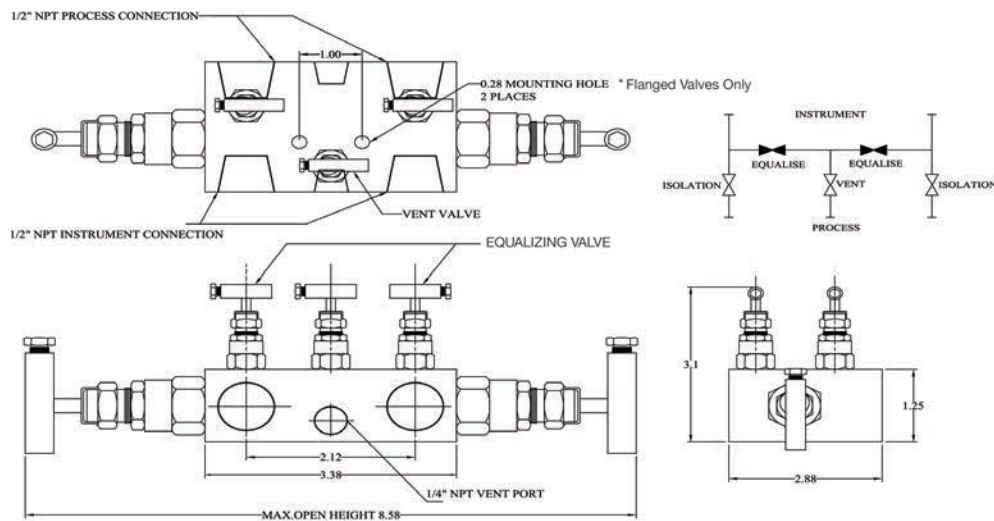
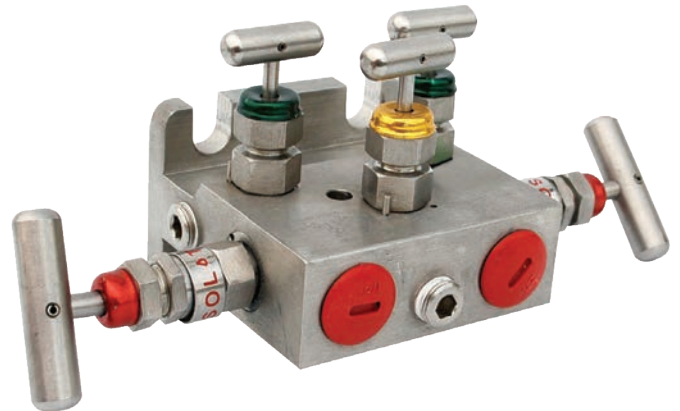
WGI 5-Valve Soft Seat Threaded Manifold – Carbon/Stainless Steel

CRN

For use with differential pressure transmitters or chart recorders. The five manifolds include one remote mounted, two process isolation valves, two equalizing valves and one drain valve on a single block.

Specifications

Connection	Instrument and Process – 1/2" NPT (F) / NPT x Flanged
Maximum Operating Pressure	6,000 PSI @ 200°F
Body & Bonnet Material	ASTM-A-105N, ASME-A-479
Gland Packing	Adjustable, below stem thread design (PBT), prevent process fluid contact with stem threads. PTFE for temperature below 400°F/ Graphite for temperature above 400°F
Stem	Close tolerance surface finish, cold rolled threads, ASME-SA-479
Needle Tip	Self centering hardened and ground ASME SA-479 Type 316 SS
Seat Material	Delrin
Temperature Rating	-40°F — 200°F (-40°C — 93°C)



Cross Reference Chart

Part Number	Material	Ends
WM55514	CS NACE	NPT x NPT
WM55314	316 SS	NPT x NPT
WM55514FN	CS NACE	NPT x Flanged
WM55314FN	316 SS	NPT x Flanged

- 1) **CANCELLATIONS & RESTOCKING POLICY:** Purchase orders once placed by Buyer and accepted by Seller can be cancelled only with Seller's written consent and upon terms which will save Seller from loss. No orders may be cancelled subsequent to delivery and/or shipment, whichever occurs first. As estimated actual damages, Buyer agrees to pay Seller the greater of Seller's actual costs incurred prior to cancellation plus a reasonable profit, or the following minimum cancellation charges: a) 20% of Order value if cancelled thirty (30) or more days prior to the original delivery/shipment date; b) 50% of the Order value if cancelled thereafter; or, c) 100% of the Order value of any non-standard items, which are items not built for stock or built to Buyer's specifications.
- 2) **RETURNED PRODUCT:** All sales are final; all custom products (non-stocking) are not subject to return, credit or refund. The return of obsolete and used Products shall not be permitted. The Purchaser shall not return Products without first obtaining Seller's written permission and shall be subject to a restocking charge. Products must be returned within 10 days after the date that written permission has been given. All transportation charges for any returned Products shall be paid by the Purchaser. Request to return Products must be accompanied by relevant customer order and Seller's invoice number(s). Final acceptance of returned Products is subject to examination and/or testing. Products will not be accepted for return or credit later than six (6) months after invoicing.
- 3) **PRICES:** Possession of price lists will not be accepted by the Seller as an obligation, or offer, to sell any goods listed therein. All prices contained in published price lists are subject to change without notice and supersede those of all previous lists. Prices quoted are based on current exchange rates; Seller reserves the right to adjust pricing to reflect the exchange rate in effect at the product receipt date to Seller's facility.
- 4) **LIQUIDATED DAMAGES:** Liquidated damages will not be accepted in the event of order placement.
- 5) **SALES TAXES, ETC.:** The Purchaser shall pay and be responsible for all provincial, local or federal sales, use or other taxes (including general sales or value added taxes) and customs duties now or hereinafter enacted which may be applicable to the sale of the Products or the importation of the Products to the destination specified by the Purchaser and which duties and taxes shall be the responsibility of the Purchaser.
- 6) **CREDIT APPROVAL:** Orders are accepted subject to satisfactory credit approval. Pending credit approval, delivery may be delayed without liability to Seller.
- 7) **TERMS OF PAYMENT:** The terms of payment for Products purchased pursuant to this Agreement are (I) upon acceptance of the purchase order a deposit in such amount as may be set out in the Seller's written acceptance notice and (II) the balance within 30 days from the date of invoice. Any invoice amount which is not paid when due shall bear interest at the rate of one and one-half (1 ½%) percent per month until paid in full.

The Purchaser agrees that it will not have any rights of set off against or deduction from the purchase price for the Products payable by the Purchaser pursuant to this Agreement. The Purchaser grants to Seller a purchase money security interest in all Products delivered pursuant to this Agreement and all proceeds thereof (whether cash or non-cash and including, without limitation, accounts, instruments and chattel paper). Any failure by the Purchaser to pay the purchase price in full as provided in this Agreement shall constitute an event of default for purposes of said security interest. Upon the occurrence of any such default, Seller shall have all rights of a secured party after default under applicable law. Any repossession

and removal of any Products shall be without prejudice to any of Seller's other remedies at law or in equity. The Purchaser agrees, without further consideration, at any time, to do or cause to be done, to execute and deliver, all such further acts and instruments (including, without limitation, financing statements approved for filing) as Seller may reasonably request in order to perfect Seller's security interest.

- 8) **DELIVERY DATE:** Seller will utilize reasonable best efforts to meet the delivery schedules stipulated in this Agreement. In the event the provisions of Section 14 hereof shall apply, the delivery date shall be extended by a number of days that is equal to the duration of the event or condition that is responsible for such delay.
- 9) **TITLE AND SHIPMENT:** All quotations and sales are FCA Loaded Truck ValvSource Warehouse (Inco Terms 2010) unless otherwise specified in writing and agreed by both parties. Seller's responsibility ceases upon delivery to carrier and title shall transfer and risk of loss shall be borne by Buyer at that point. Any expedited or other premium transportation charges requested by Buyer will be for the account of Buyer. Prices include domestic packing, blocked and strapped to open pallets and wrapped in Poly. No claims for price adjustments will be honored unless presented within six (6) months from date of invoice. All quotations are subject to change without notice and prior to sale of goods.
- 10) **INSPECTION BY PURCHASER:** All Products must be inspected by the Purchaser upon receipt and the Purchaser and Seller, collectively, agree to file appropriate claims with the carrier when there is evidence of shipping damage, either concealed or external. Claims for shortage or error in shipment or for damage other than shipping damage must be made within 5 days after receipt of shipment, failing which the Purchaser shall be deemed to have accepted the shipment.
- 11) **LIMITED WARRANTY:** Purchaser acknowledges that the Products are provided to the Purchaser subject only to the limited warranties provided by the manufacturer of the Products and are subject to all of the conditions, limitations and exclusions set out therein, all of which are hereby accepted by the Purchaser. The warranty exclusions include, without limitation, (I) any defects caused by faulty installation performed by Purchaser or third parties, (II) any damage caused by the contractors or tradesman of the Purchaser, (III) any damage caused by improper use or misuse, including exposure to excessive temperatures, moisture or cleaning agents and solvents and (IV) any damage caused during transportation or improper storage. Claims for warranty repairs and replacements must be made within the applicable time period described in the manufacturer's limited warranty. In no event shall Seller be liable for other than the repair or replacement of any defective Products. In no event shall Seller be liable for any damages, direct or indirect, special or consequential, including, without limitation, damages for lost profits, business interruption, or economic loss arising out of defects in the Products.
- 12) **EXCLUSION OF WARRANTIES:** Except as expressly set forth herein seller disclaims all warranties with regard to the products including, without limitation, all implied warranties of merchantability and fitness for a particular purpose.
- 13) **CATALOGUE AND OTHER PRINTED MATTER:** Seller's illustrations are representations of a certain size of each line of Product, but do not necessarily represent all sizes and materials in detail. Similarly, dimensions, weights and material information have been prepared with care, but their correctness is not guaranteed. Seller reserves the right to vary the designs and dimensions without notice.

- 14) **FORCE MAJEURE:** Any delay or failure of performance by Seller shall be excused if and to the extent caused, directly or indirectly, events beyond Seller's control including, without limitation, fire, flood earthquake, lightning, hurricane, explosion, accident or breakdown, acts of God, embargo, strike, labour dispute, labour trouble, lockout, shortage or control of power supply, shortage of supplies or raw materials, or any causes whether of the same kind as the causes enumerated before or not. Subject to any express provisions of this Agreement, any such causes of delay shall extend the time of performance by the length of delay occasioned thereby.
- 15) **NO WAIVER:** No waiver by Seller of any right hereunder or of any right granted in connection with a failure to perform or breach by the Purchaser shall be deemed as a waiver of any other right hereunder or of any right granted in connection with any other failure or breach by the Purchaser, whether of a similar nature or otherwise.
- 16) **NOTICE:** Any notice made under or in relation to this Agreement shall be sent to the addresses first above written or such other address as the intended recipient shall have previously designated by written notice, by postage prepaid registered mail or by telegram including telex, followed by a confirmation letter by postage prepaid and return receipt requested registered mail. The notice shall be deemed to be made on the fifth day following the date of mailing.
- 17) **ENTIRE AGREEMENT:** This Agreement contains the entire agreement and understanding of the parties hereto with respect to the subject matter of this Agreement, and supersedes all prior discussions, agreements, understandings of any and every nature, whether written or oral, between the parties with respect to the subject matter of this Agreement, and no condition, definition, warranty or representation other than those expressly provided for in this Agreement with respect to the subject matter of this Agreement shall be binding upon either party hereto.
- 18) **AMENDMENTS IN WRITING:** Any amendment, modification, change or alteration of this Agreement shall be made in writing which expressly refers to this Agreement and which is signed by a duly authorized officer or representative of each of the parties hereto.
- 19) **SEVERABILITY:** All provisions of this Agreement are severable and this Agreement shall be interpreted and enforced as if all completely invalid or unenforceable provisions were not contained herein. All partially valid and enforceable provisions shall be enforced to the extent they are valid and enforceable.
- 20) **NO AGENCY OR PARTNERSHIP:** Nothing herein contained shall be deemed or construed to constitute either party the agent or partner of the other. Neither party shall have any right, title or authority to enter into any contract, agreement or commitment on behalf of the other or to bind the other in any manner whatsoever.
- 21) **GOVERNING LAW:** This agreement shall be governed by and construed in accordance with the laws of the jurisdiction from which the products are shipped by the seller to the purchaser and the parties hereby attorn to the courts of such jurisdiction.
- 22) **ENUREMENT:** This Agreement shall enure to the benefit of and be binding upon the parties hereto and on their successors and permitted assigns.
- 23) **SELLER DEFINED:** For the purposes hereof, Seller means the Corporation listed as such on the front page of the Invoice or acceptance notice of which these terms and conditions of sale form a part.

Your Complete Source for Valves, Actuation, Strainers and Pressure/Temperature Gauges



- 1,2,3 Piece Ball Valves
- Flanged Floating Ball Valves
- Knife Gate Valves
- Butterfly Valves
- Actuation
- Position Switches



- Y, Basket & Temporary Strainers
- Check Valves
- Triple Duty Valves
- Foot Valves
- Expansion Joints



- Pressure Gauges & Accessories
- Temperature Indicators
- Needle Valves
- Thermowells & Thermocouples



- Brass Ball Valves
- Bronze Gate, Globe, & Check Valves
- Cast Iron Gate, Globe, & Check Valves
- Cast & Forged Steel Gate, Globe and Check Valves



- Cast Gate, Globe & Check Valves
- Forged Gate, Globe & Checks
- Threaded Ball Valves
- Flanged Ball Valves



For more information contact:



Call us toll-free at 1 (800) 811-2175 or
visit us online at processandsteam.com