

Texsteam Products Gas/Pneumatic Driven Double Diaphragm Utility Pump

Series 9000

Description

The Series 9000 Double Diaphragm Utility Pump is a double acting, positive displacement pump operated on either air or gas. A range of operating power pressures from 5 to 100 psig provide discharge volumes up to 60 gallons of water and discharge pressures up to 60 psig through 2" suction and discharge ports.

It handles any liquid from alcohol to mud, liquids containing solids 1/4" in diameter with ease, and liquids containing abrasives with a minimum of wear.

The 9000 can operate completely submerged. It is smokeless, quiet, and fireproof. This pump needs no priming for suction lifts up to 14 feet of water, and can perform suction lifts up to 23 feet when primed.

Specifications

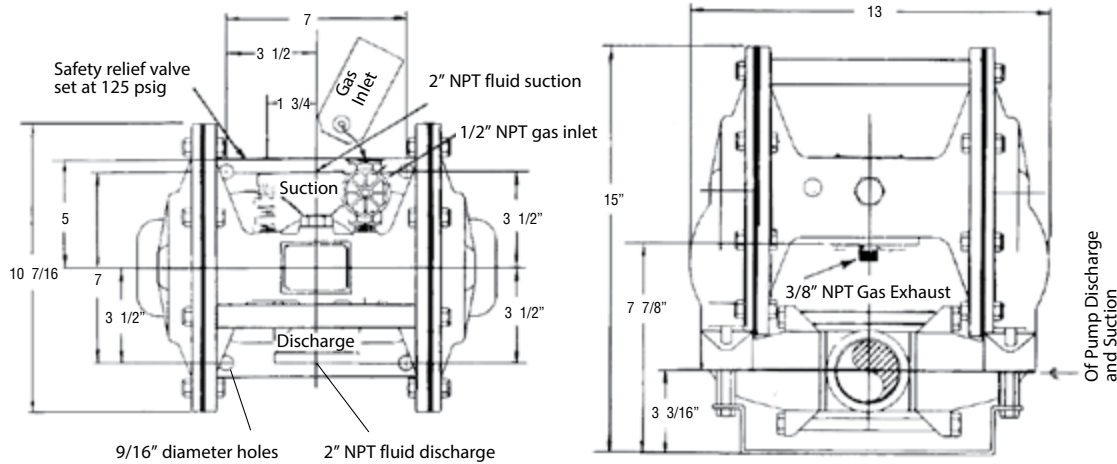
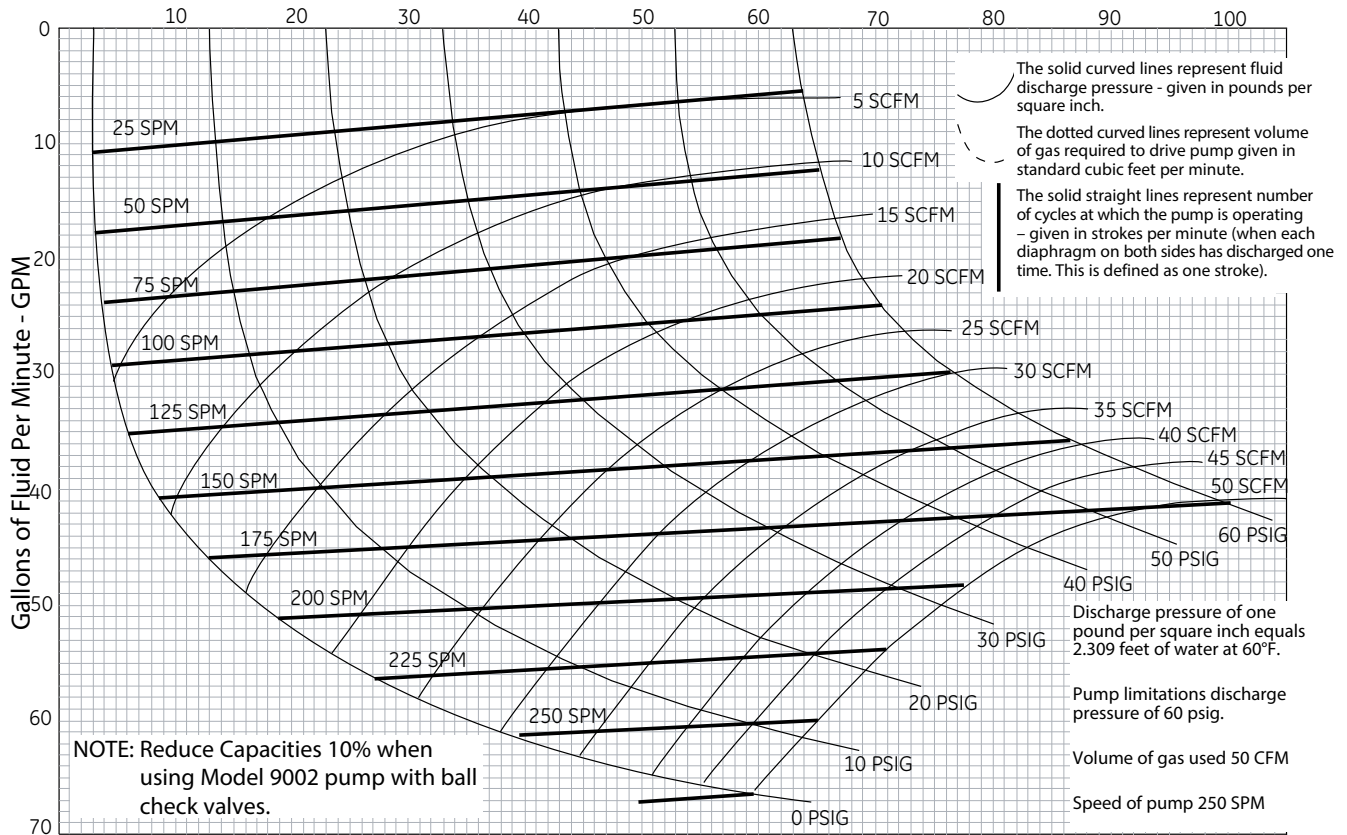
Maximum Power Gas Pressure..... 100 psig
 Maximum Recommended Gas Exhaust Bk. Press20 psig
 Minimum Power Gas Pressure 5 psig
 Maximum Recommended Gas Consumption50 cfm
 Maximum Recommended Fluid Discharge Press60 psig
 Maximum Temperature: Standard Trim200°F
 Teflon Trim200°F
 Maximum Fluid Suction Lift23 ft. water (primed)



Maximum Recommended Fluid Capacity60 gpm
 Minimum Recommended Fluid Capacity 1 gpm
 Maximum Recommended Strokes/Mm 250 spm
 Power Gas Safety Valve set at 125 psig
 Weight 70 lbs.

Performance Of Texsteam Double Diaphragm Pump Model 9001

Gas pressure needed to drive pump—given in psig



Industrial Products Group
Texsteam Pumps
 16240 Port Northwest Drive
 Houston, TX 77041
 T: 832-590-2306
 Toll Free: 1-800-945-9898
 F: 713-849-2879



www.dresserngs.com

The Dresser Logo and all Trademarks containing the term "Dresser" are the property of Dresser, LLC, a subsidiary of Baker Hughes, a GE Company.

Texsteam 9000 Series Fact Sheet NGS.IPG.0010